

# NEWS PRODUCTS

## 新产品



Industrial Automation Machine  
& accessories

工业铝型材整机&配件

宁波得发科技有限公司  
Ningbo Defa Technology Co.,Ltd.



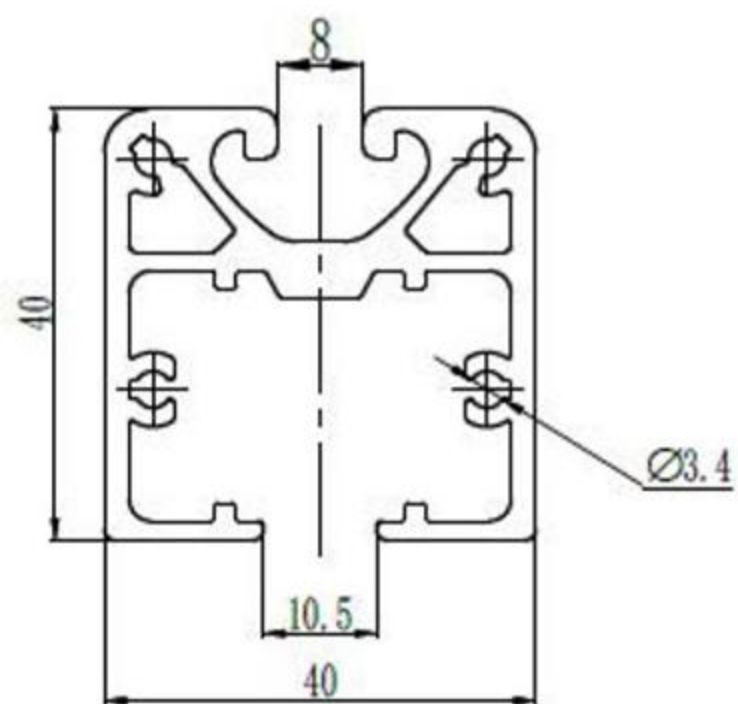
## 391.1001A.01

发布时间: 2023-07-13 14:24:10

Profile Item No./型材编号: FP-4040-4

Material/材质: 6063-T5

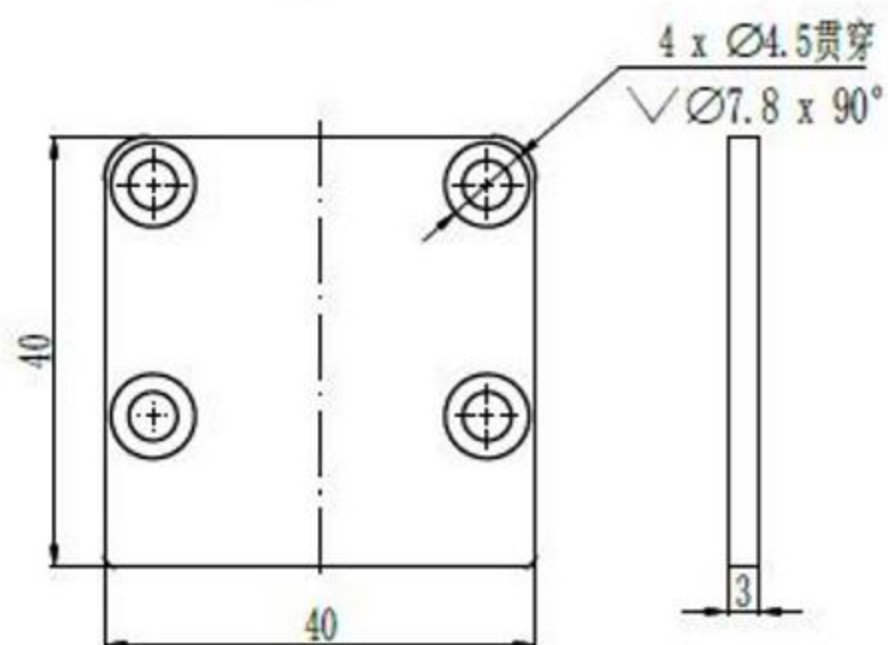
Finish/表面处理: Sandblasting Oxidation/喷砂氧化



Profile Item No./型材编号: 305.1500A.01

Material/材质: 6061-T6

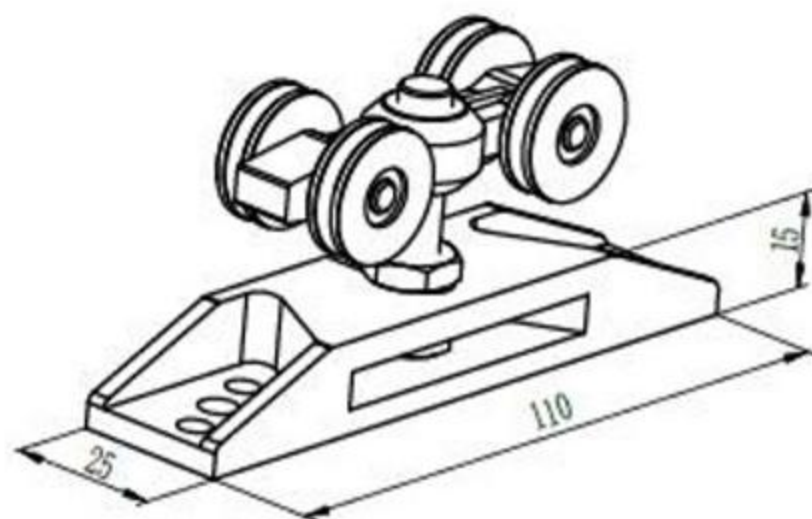
Finish/表面处理: Black Matte oxidation Oxidation  
黑色磨砂氧化



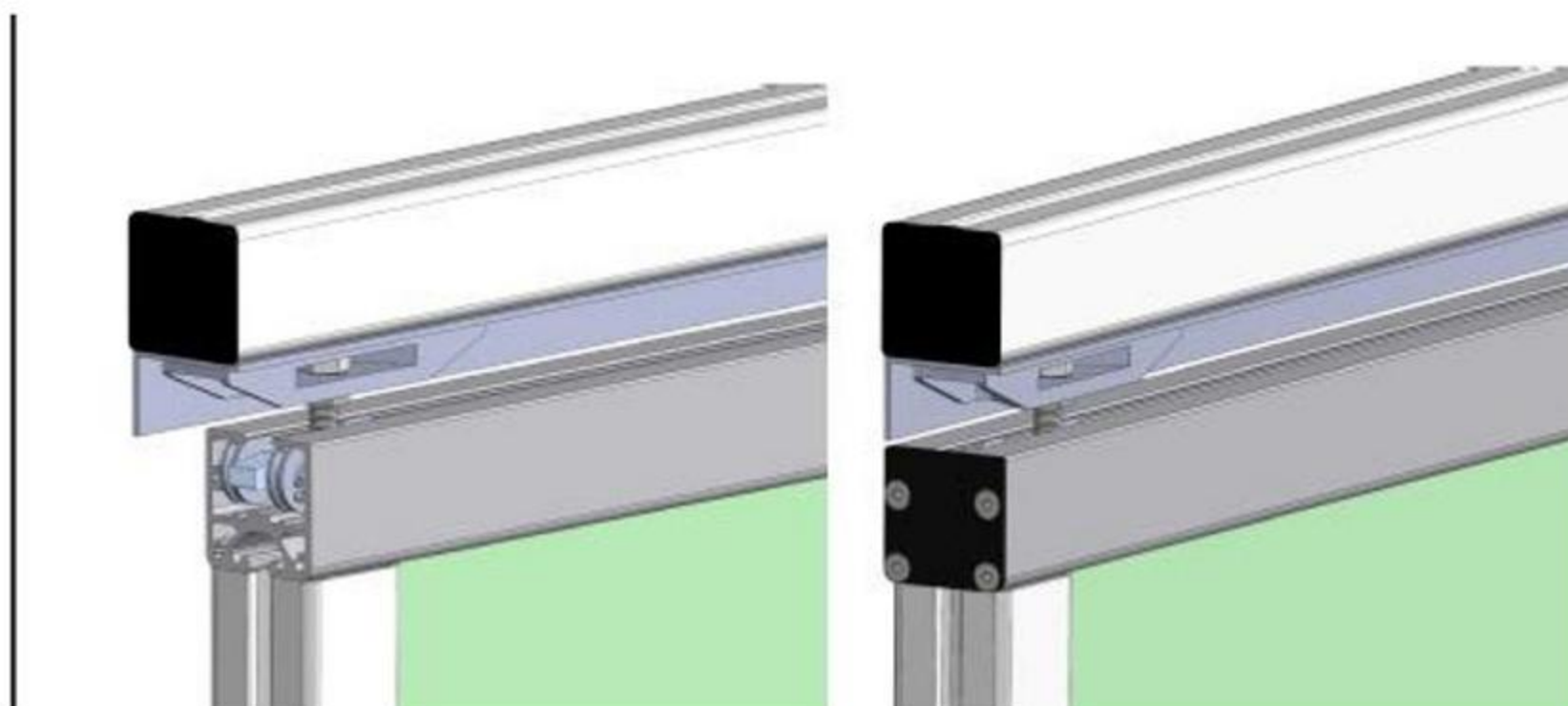
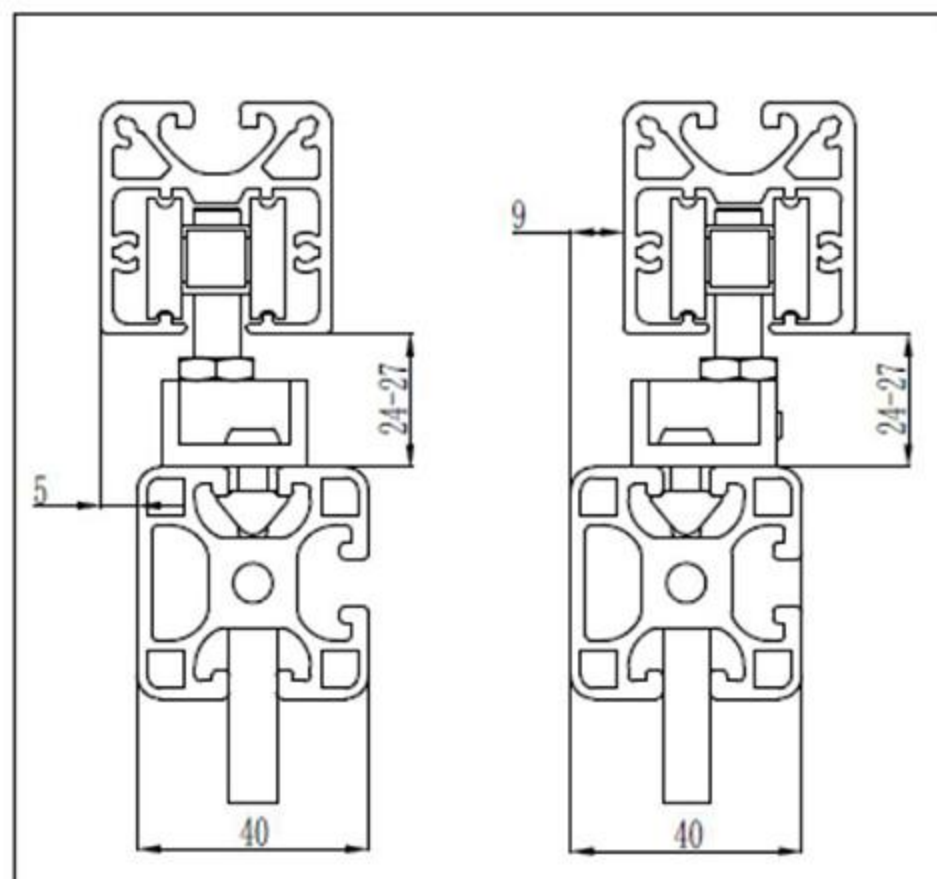
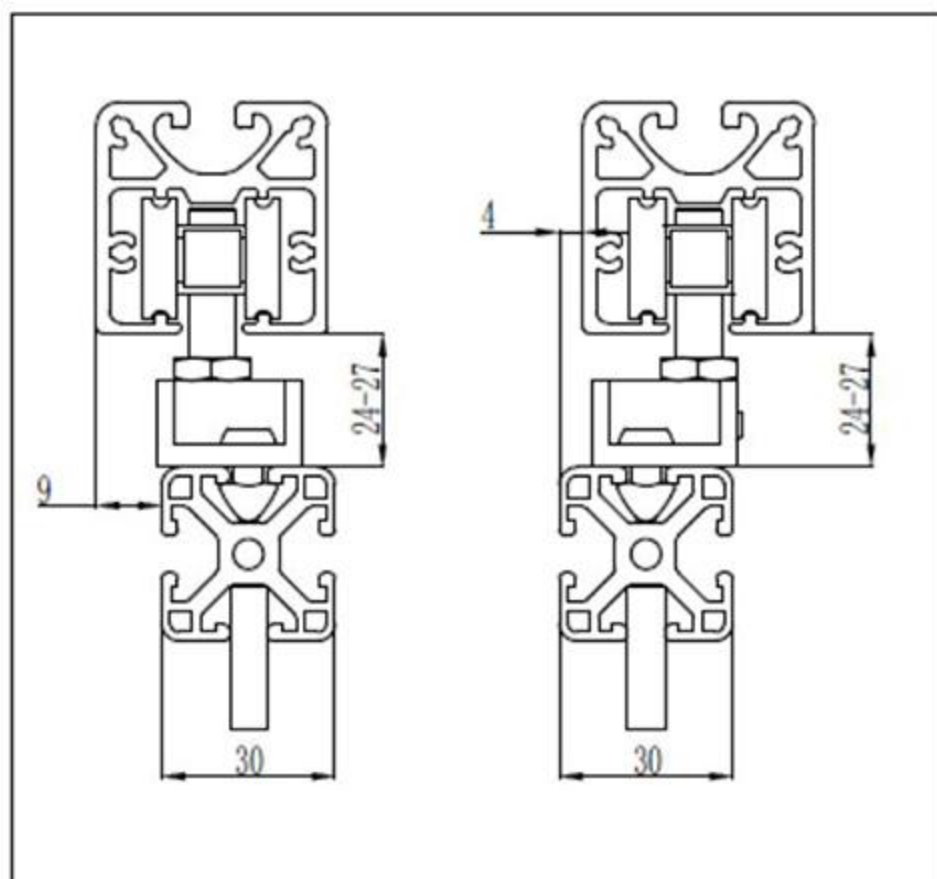
Profile Item No./型材编号: 390.1001A.01

Material/材质: Die-cast Zinc; Roller: POM  
主体锌合金 滚轮: POM

Finish/表面处理: Zinc White/电镀白锌

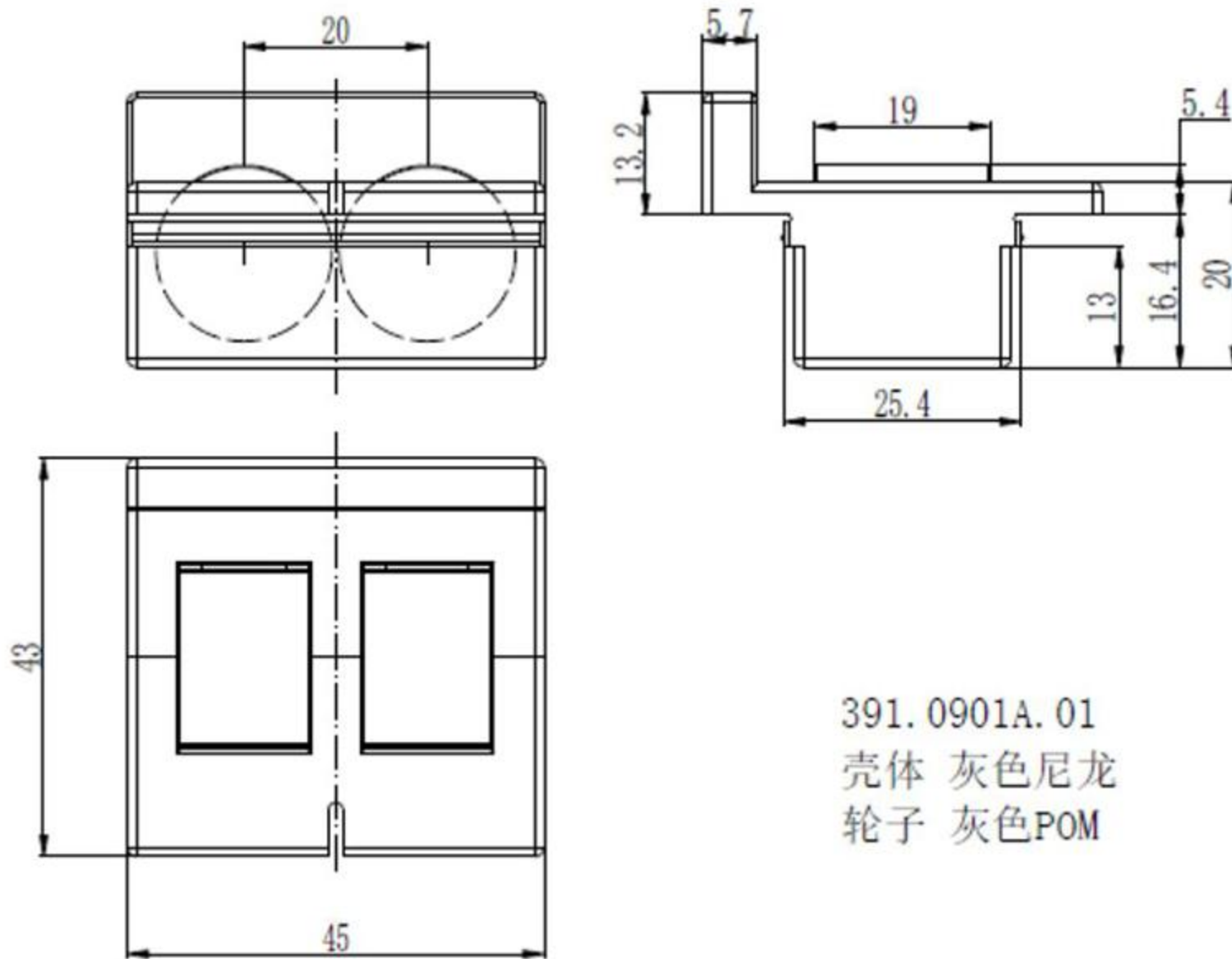






## 391.0901A.01

发布时间: 2023-07-12 21:29:57



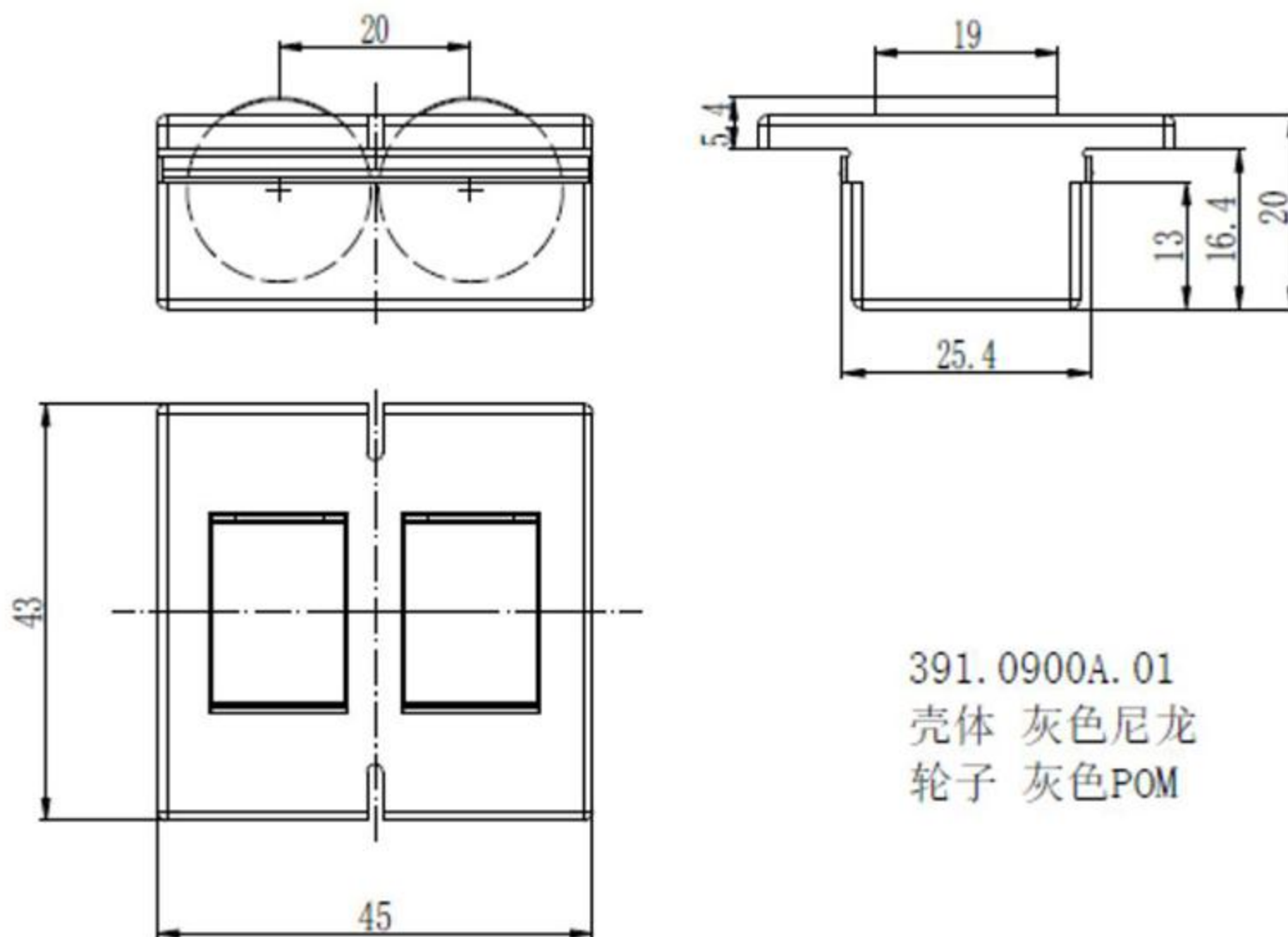
391.0901A.01  
壳体 灰色尼龙  
轮子 灰色POM

Item No.	Material	Max. load	Finish	PCS/CTN	KGS/CTN	CTN SIZE(mm)
391.0901A.01	Casing: Strong Nylon Roller: POM	150 N	Grey			350*225*180



## 391.0900A.01

发布时间: 2023-07-12 21:23:05



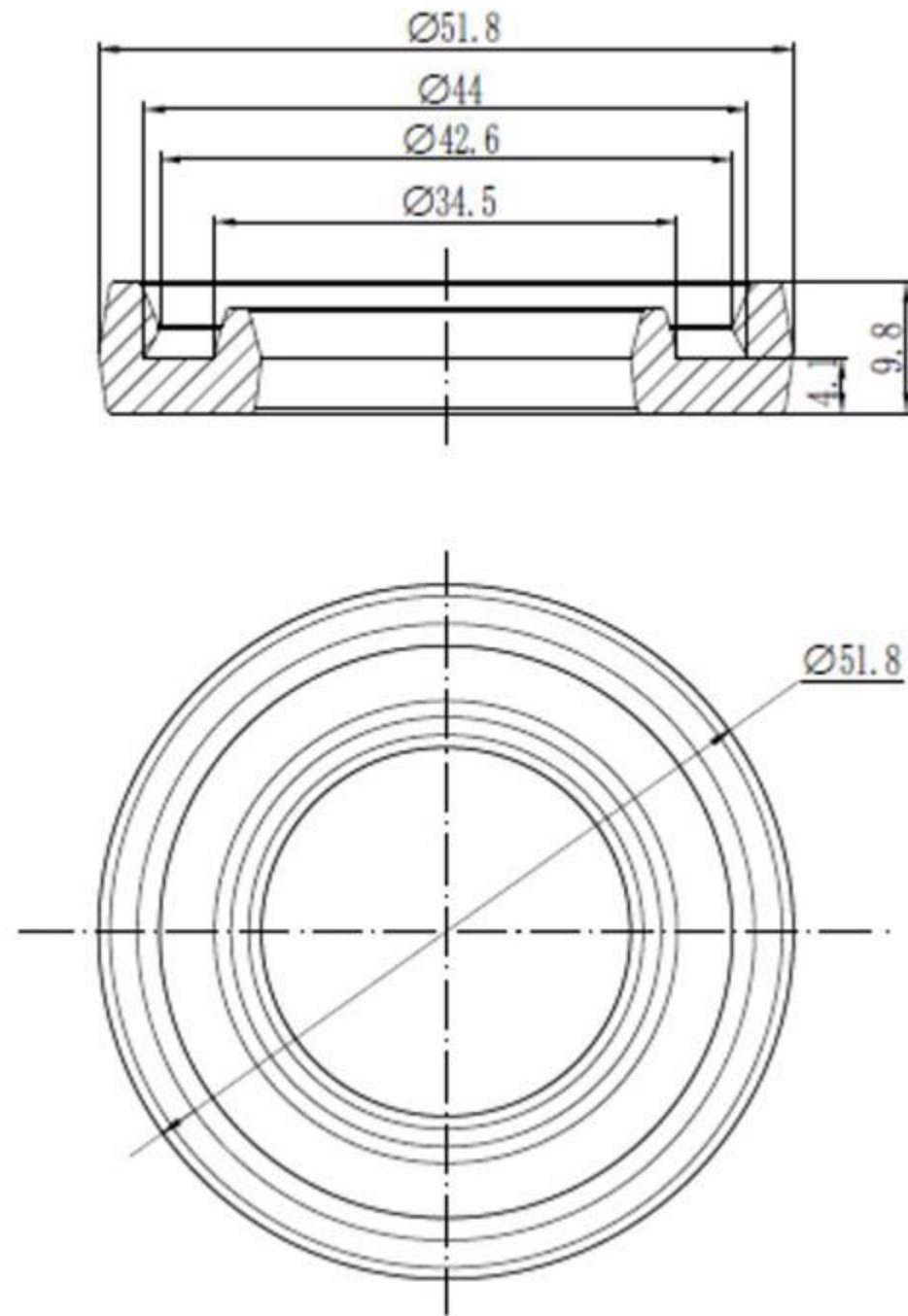
391.0900A.01  
壳体 灰色尼龙  
轮子 灰色POM

Item No.	Material	Max. load	Finish	PCS/CTN	KGS/CTN	CTN SIZE(mm)
391.0900A.01	Casing: Strong Nylon Roller: POM	150 N	Grey			350*225*180



## 340.0502B.01

发布时间: 2023-07-12 20:32:59



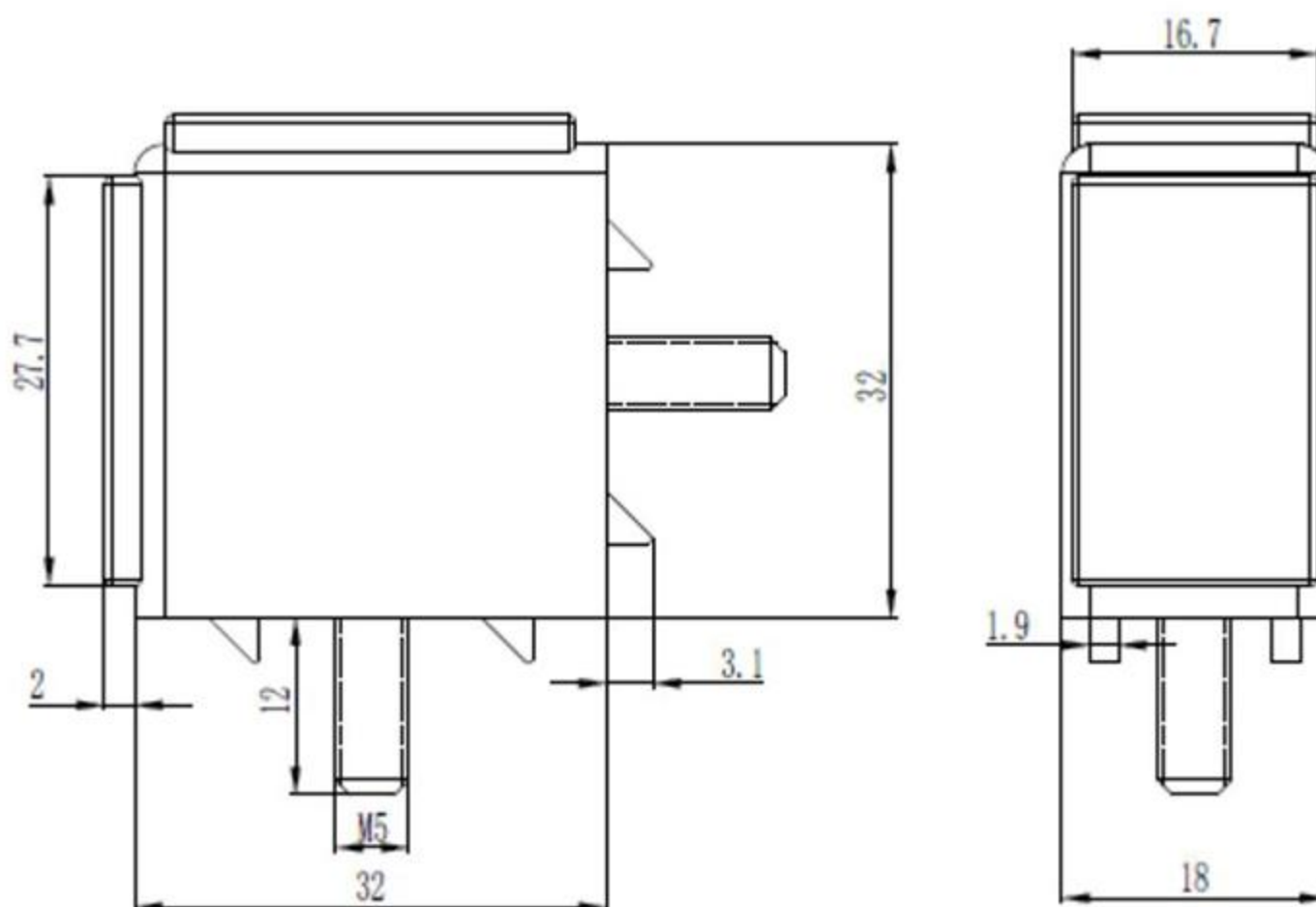
Item No.	Material	PCS/CTN	KGS/CTN	CTN SIZE(mm)
340.502B.01	PU / Translucence			225*170*180



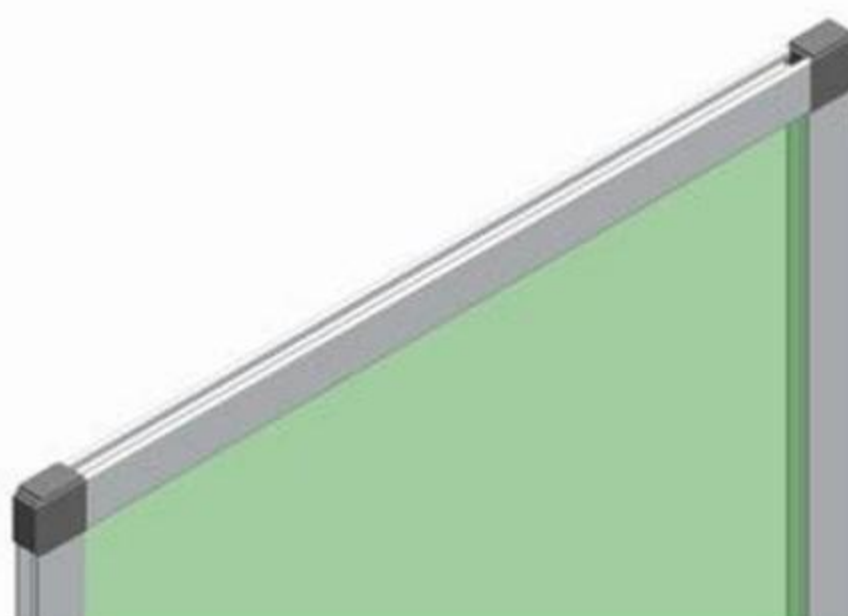


## 335.1801A.01

发布时间: 2023-07-12 19:58:01

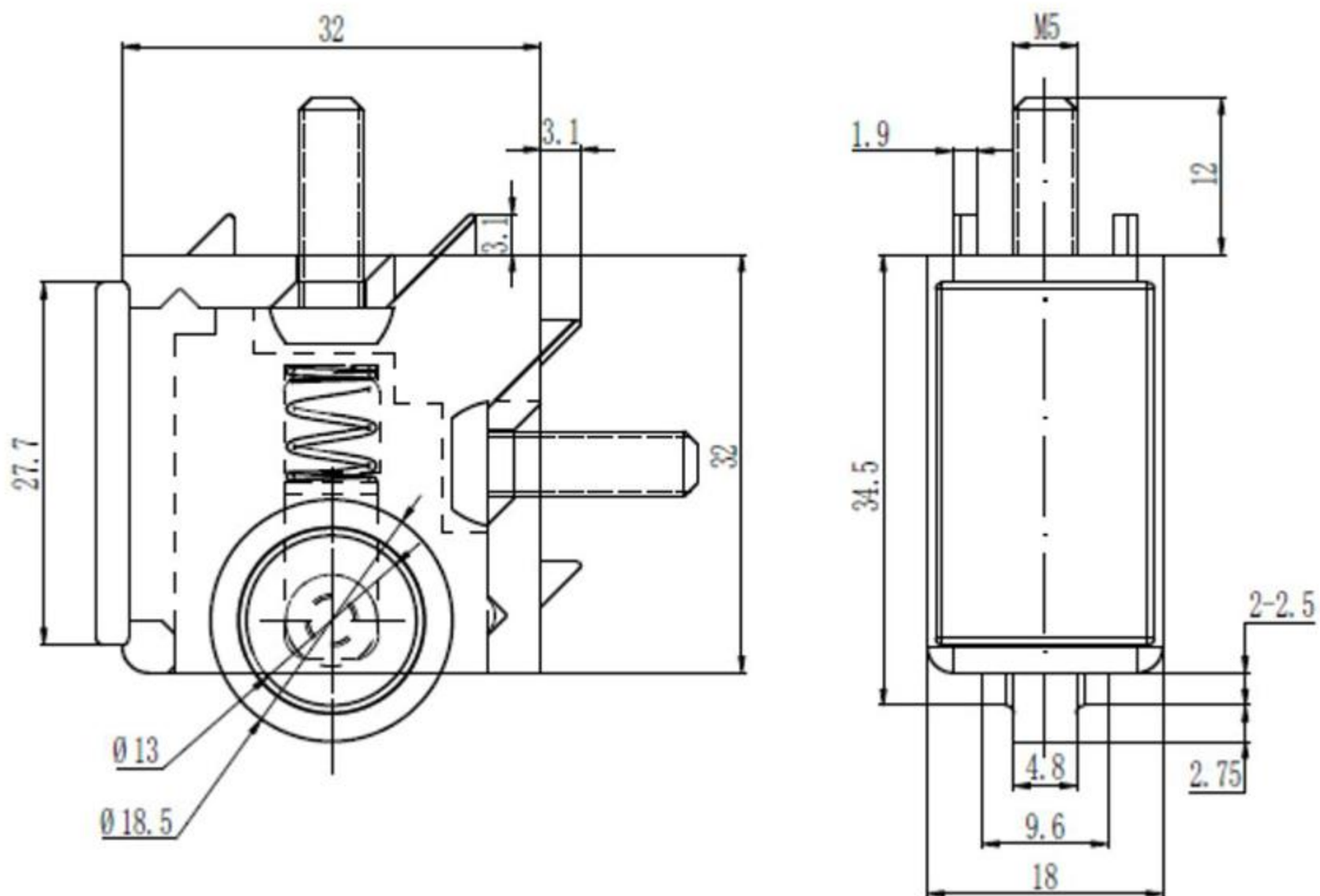


Item No.	Material	Finish	PCS/CTN	KGS/CTN	CTN SIZE(mm)
335.1801A.01	Die-cast Zinc	Alu Color painting			225X170X180

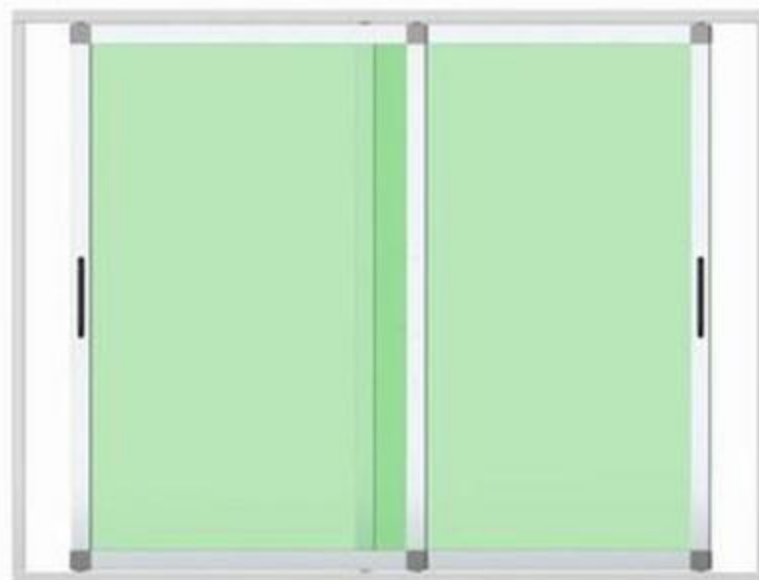


# 335.1800A.01

发布时间: 2023-07-12 19:39:24



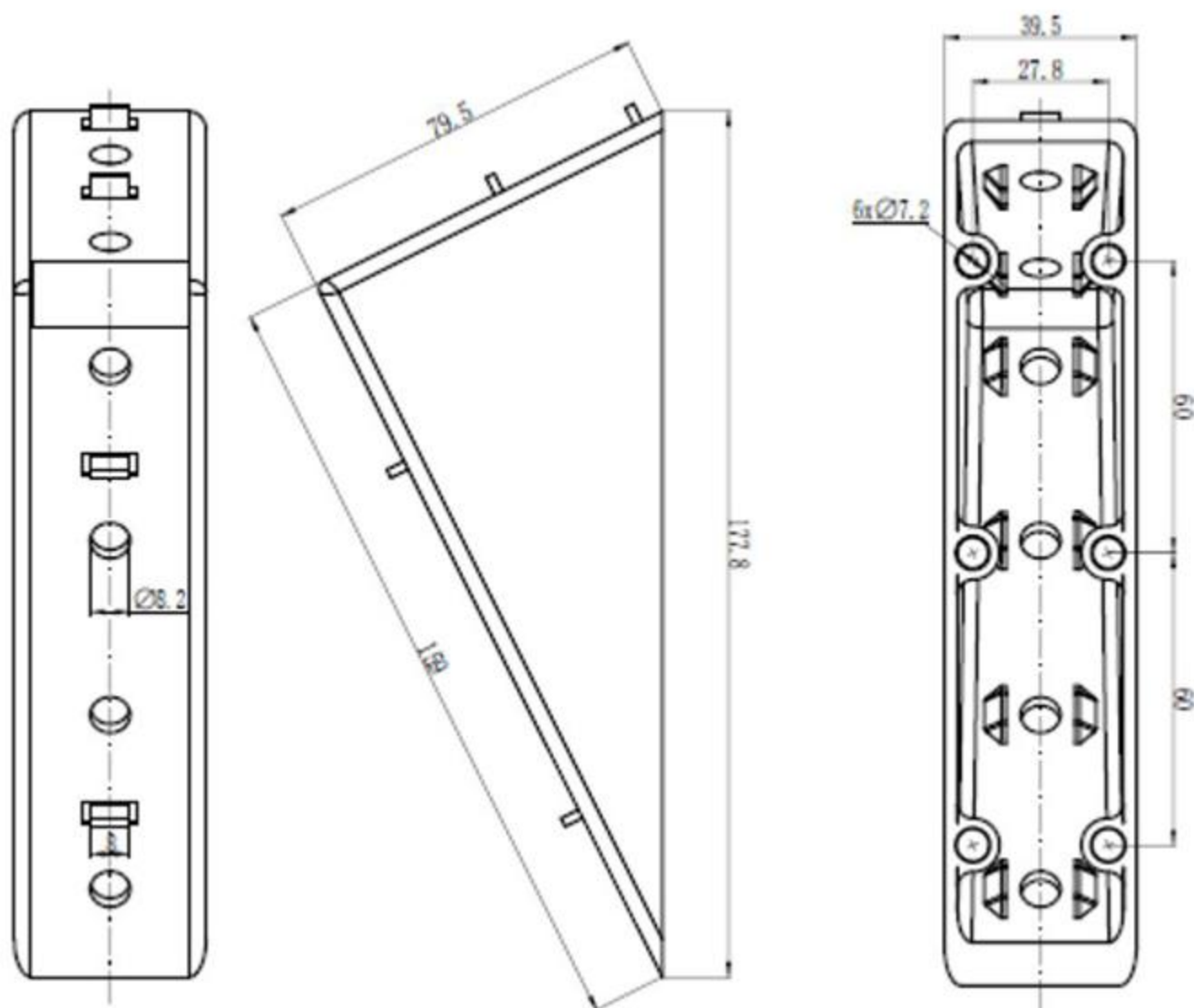
Item No.	Material	Finish	PCS/CTN	KGS/CTN	CTN SIZE(mm)
335.1800A.01	Casing: Die-cast Zinc Roller: POM	Alu Color painting			225X170X180



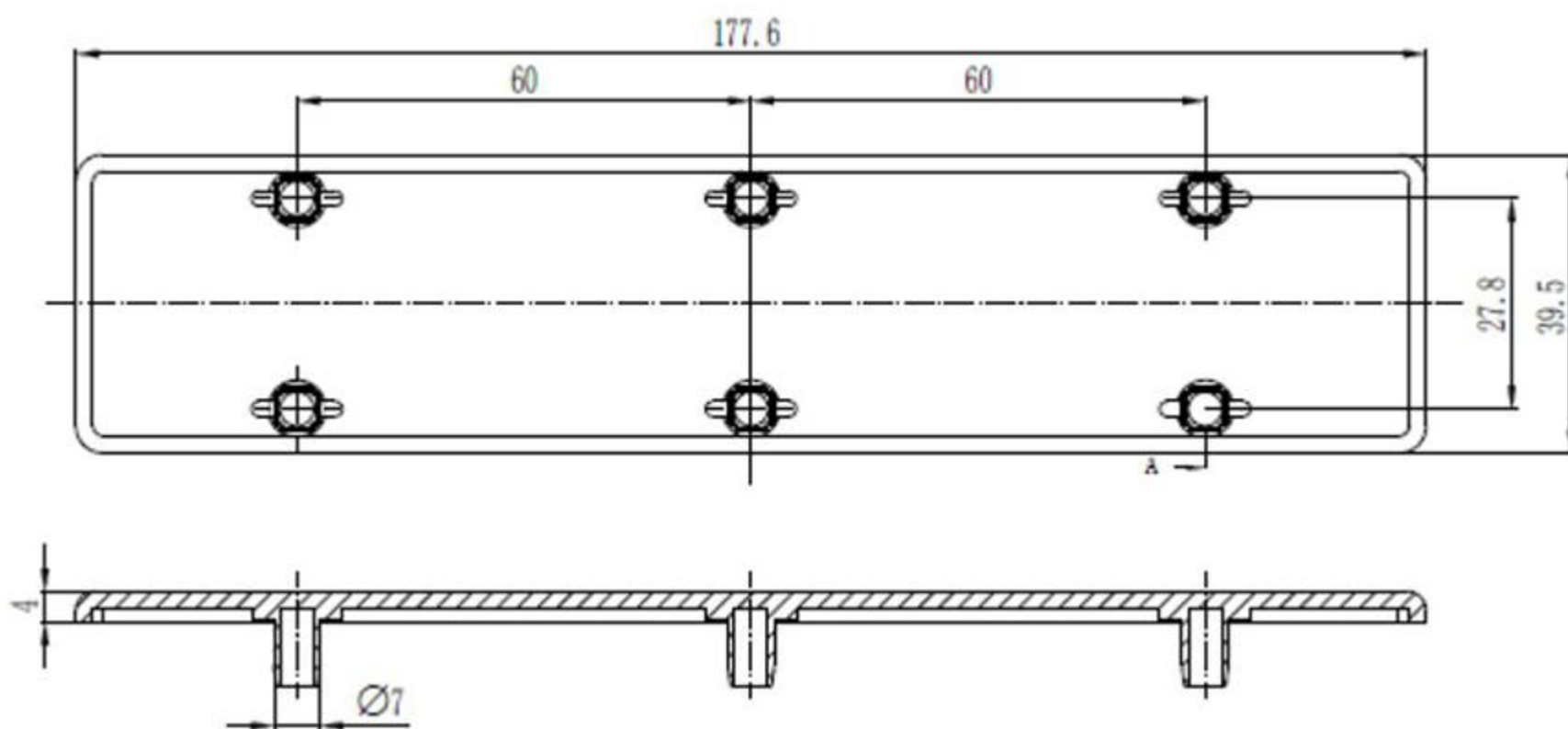


## 310.54/370.5400A.XX

发布时间: 2023-07-04 11:53:33

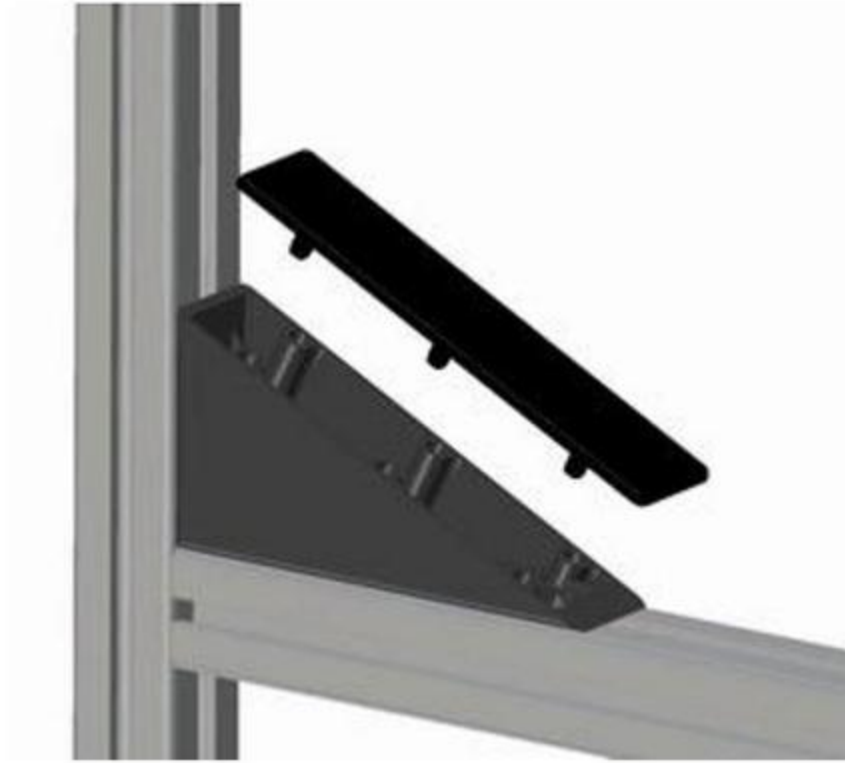


**310.5400A.01**



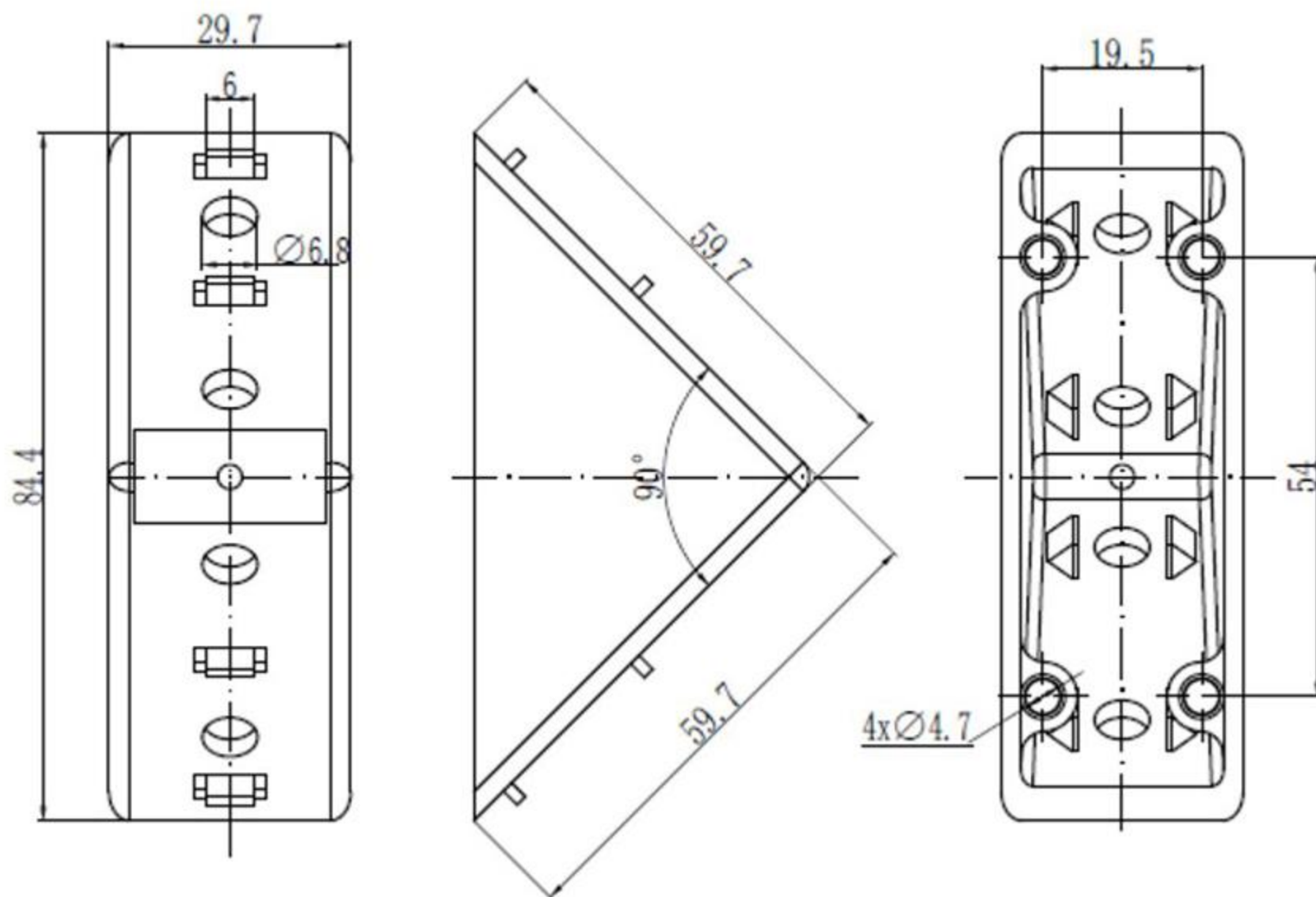
**370.5400A.01**

Slot	Item No.	Material	Finish	PCS/CTN	KGS/CTN	CTN SIZE(mm)
6	310.5400A.01	Die-cast Alu	Alu Color Painted			225*170*180
6	310.5400A.02	Die-cast Zinc	Alu Color Painted			225*170*180
Cap	370.5400A.01	Nylon	Black			225*170*180
Cap	370.5400A.05	Nylon	Gray/RAL7004			225*170*180

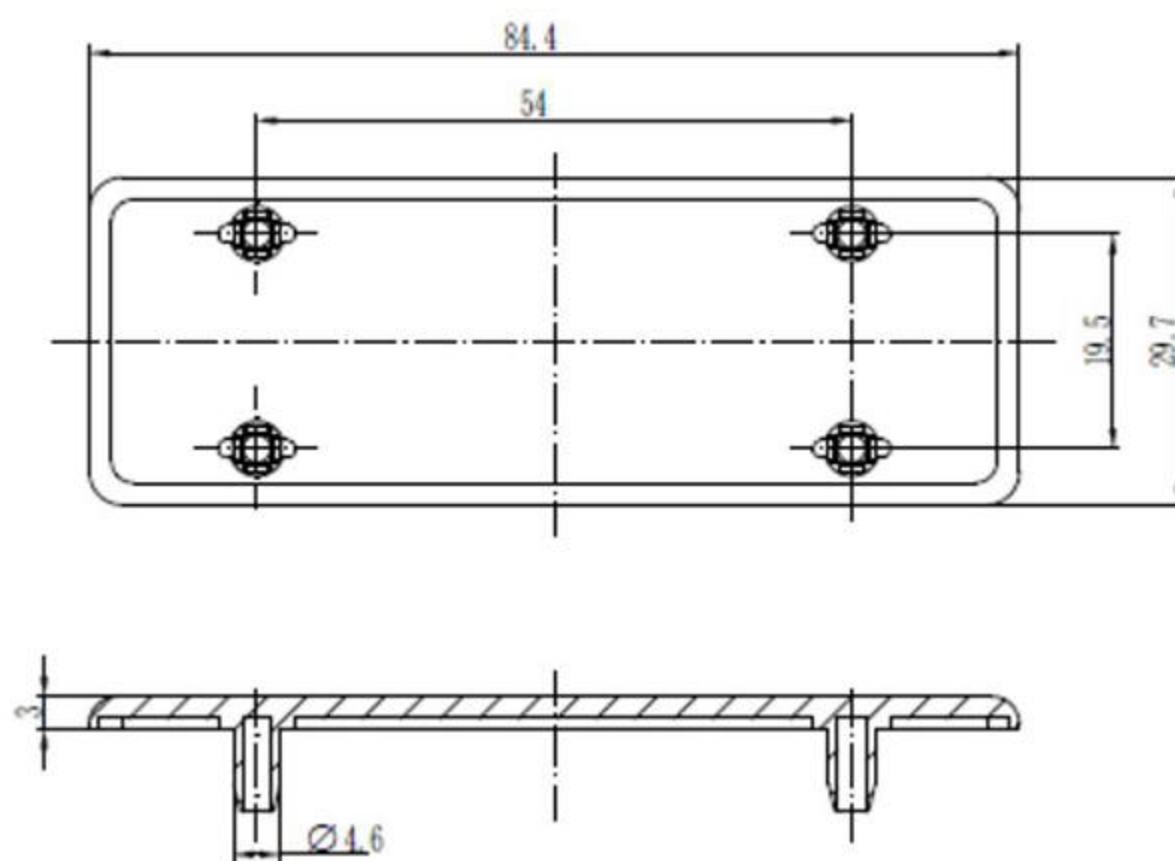


**310.53/370.53A.XX**

发布时间: 2023-07-03 19:53:16



**310.5300A.XX**



**370.5300A.XX**

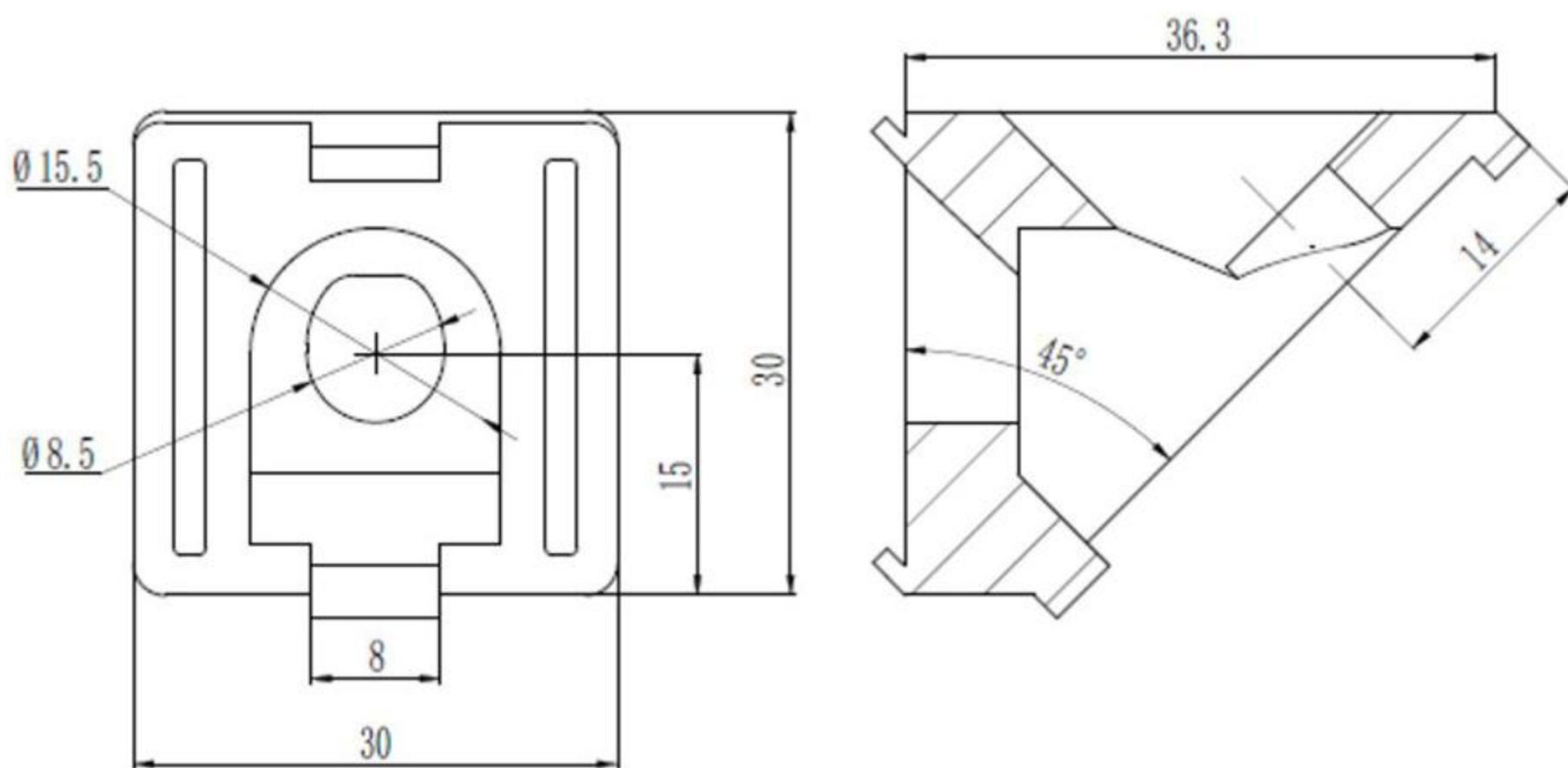


Slot	Item No.	Material	Finish	PCS/CTN	KGS/CTN	CTN SIZE(mm)
6	310.5300A.01	Die-cast Alu	Alu Color Painted			225*170*180
6	310.5300A.02	Die-cast Zinc	Alu Color Painted			225*170*180
Cap	370.5300A.01	Nylon	Black			225*170*180
Cap	370.5300A.05	Nylon	Gray/RAL7004			225*170*180



## 315.0500A.XX

发布时间: 2023-07-03 15:42:14

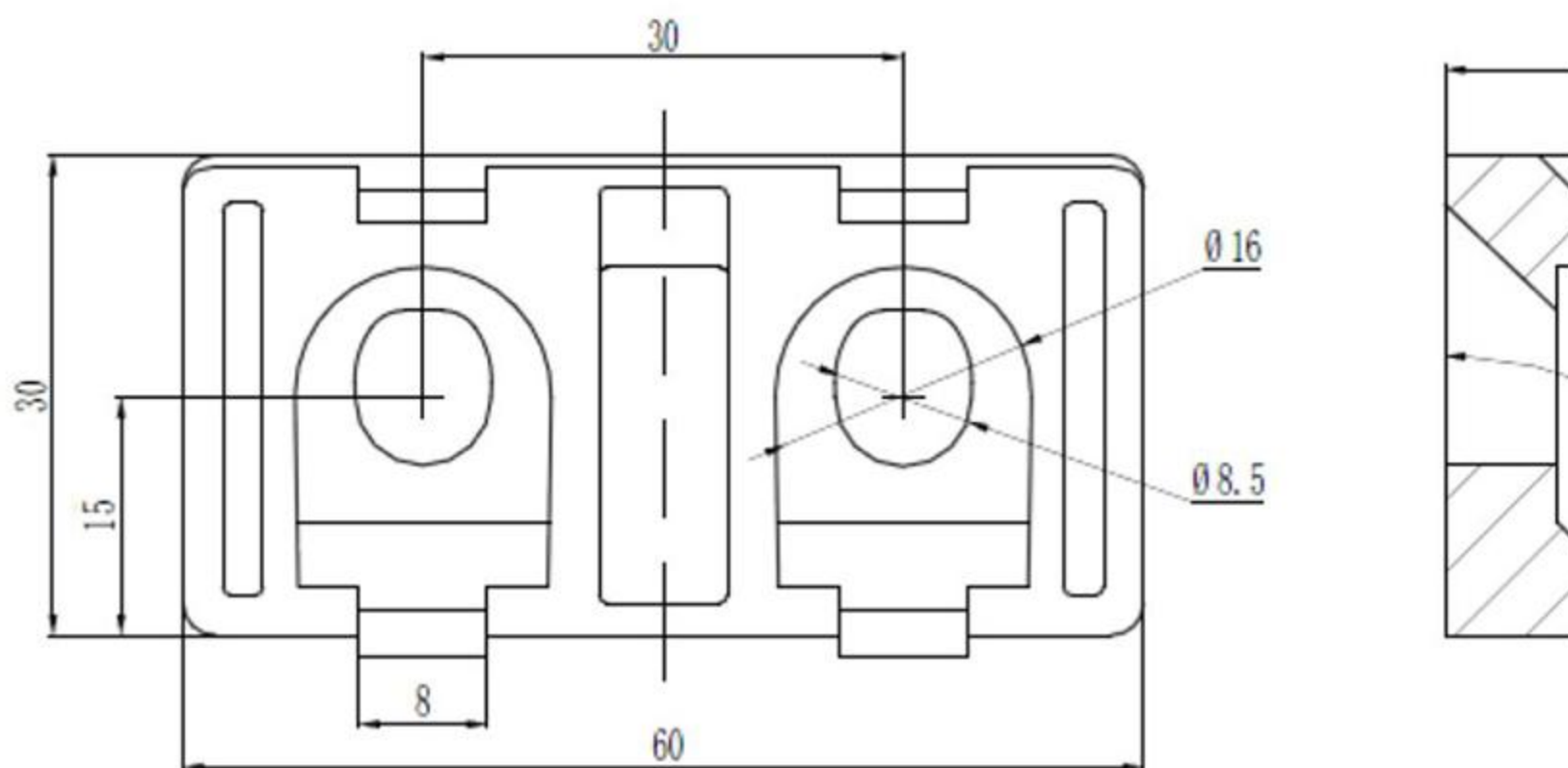


Slot	Item No.	Material	Finish	PCS/CTN	KGS/CTN	CTN SIZE(mm)
8	315.0500A.01	Die-cast Alu	Dull Polished			350*220*180
8	315.0500A.02	Die-cast Alu	Alu Color			350*220*180



## 315.0600A.XX

发布时间: 2023-07-03 15:36:18



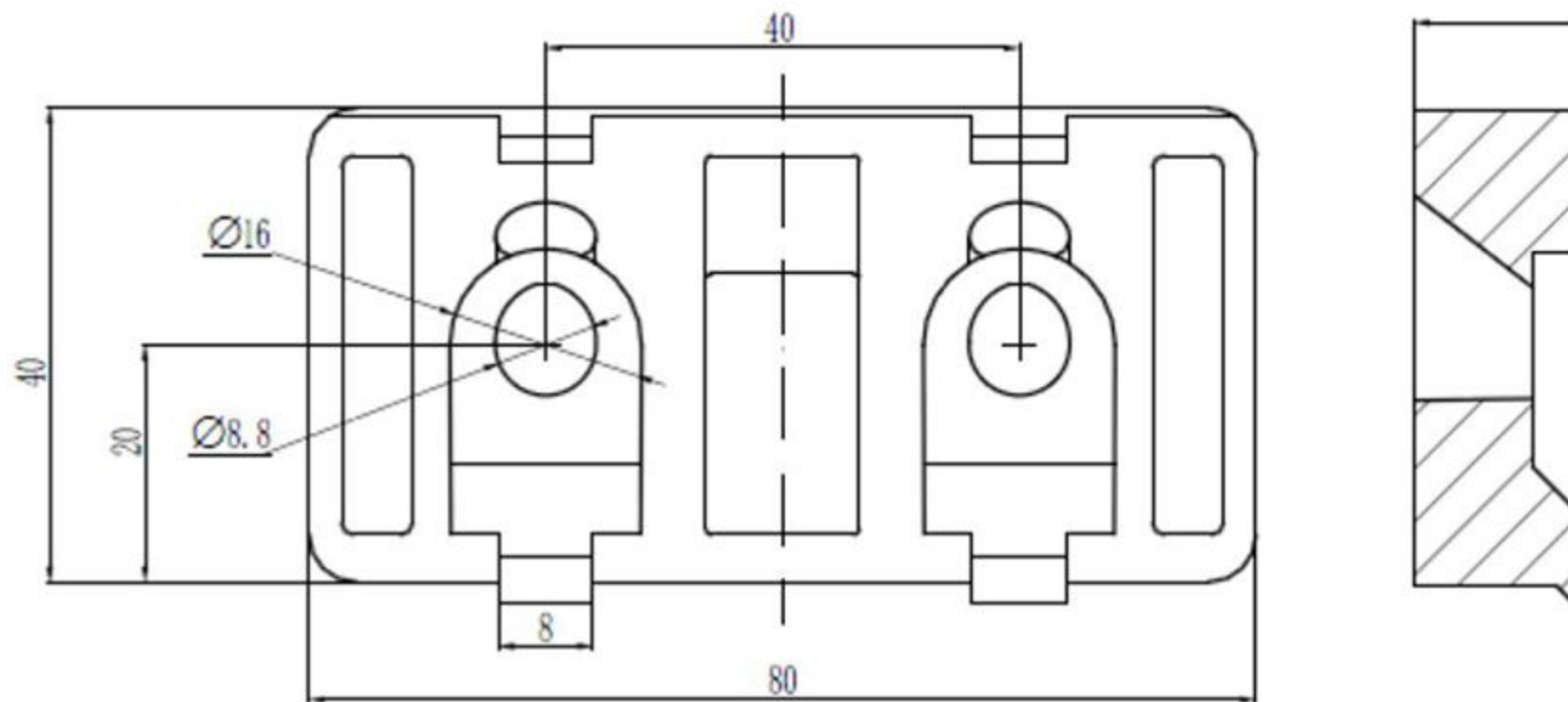
Slot	Item No.	Material	Finish	PCS/CTN	KGS/CTN	CTN SIZE(mm)
8	315.0600A.01	Die-cast Alu	Dull Polished			350*220*180
8	315.0600A.02	Die-cast Alu	Alu Color			350*220*180





## 315.0700A.XX

发布时间：2023-07-03 15:25:45

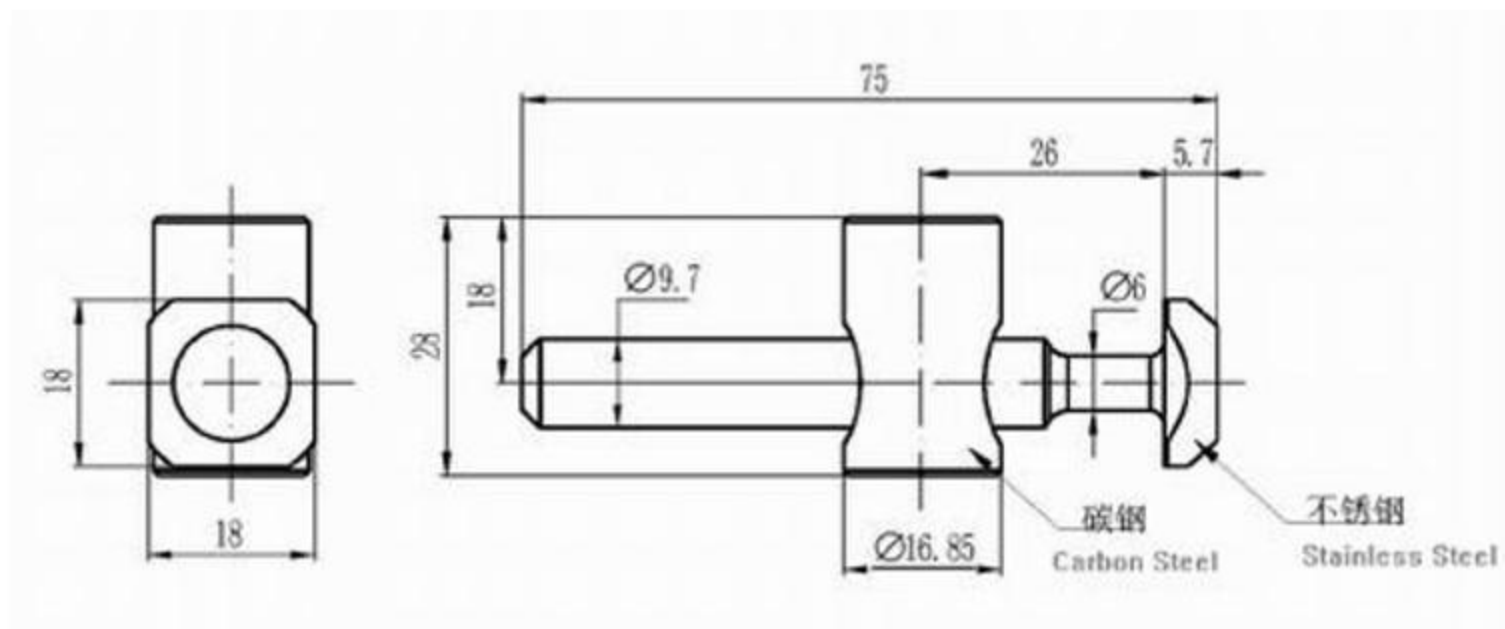


Slot	Item No.	Material	Finish	PCS/CTN	KGS/CTN	CTN SIZE(mm)
8	315.0700A.01	Die-cast Alu	Dull Polished			350*220*180
8	315.0700A.02	Die-cast Alu	Alu Color			350*220*180

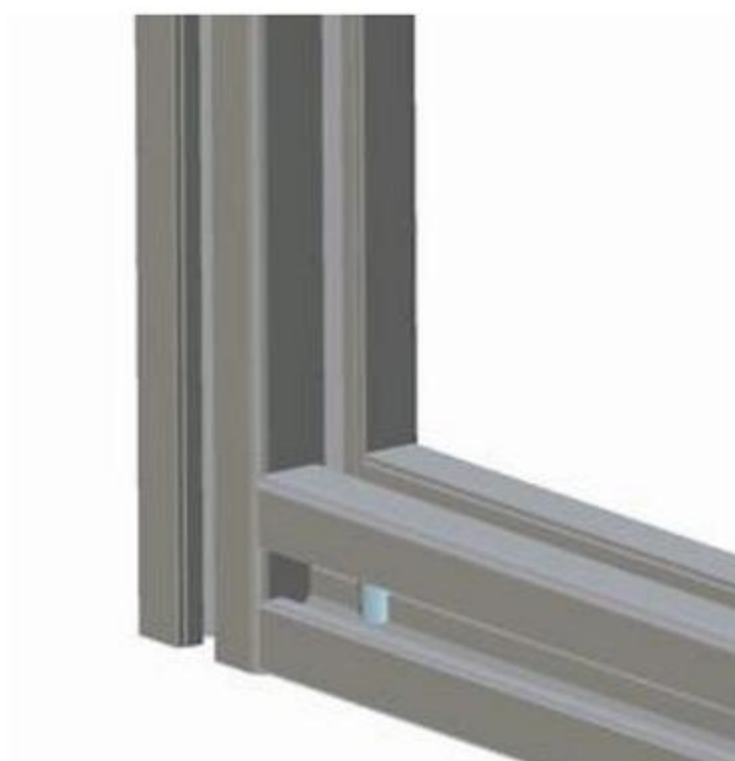
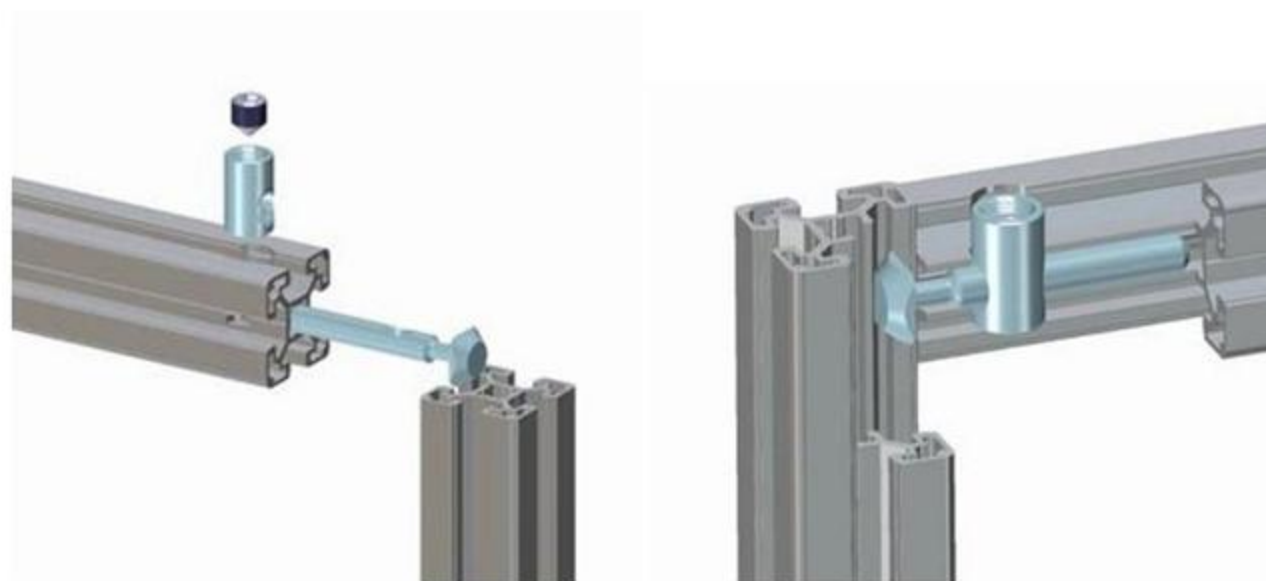


## 302.2800A.01

发布时间: 2023-07-03 15:05:31

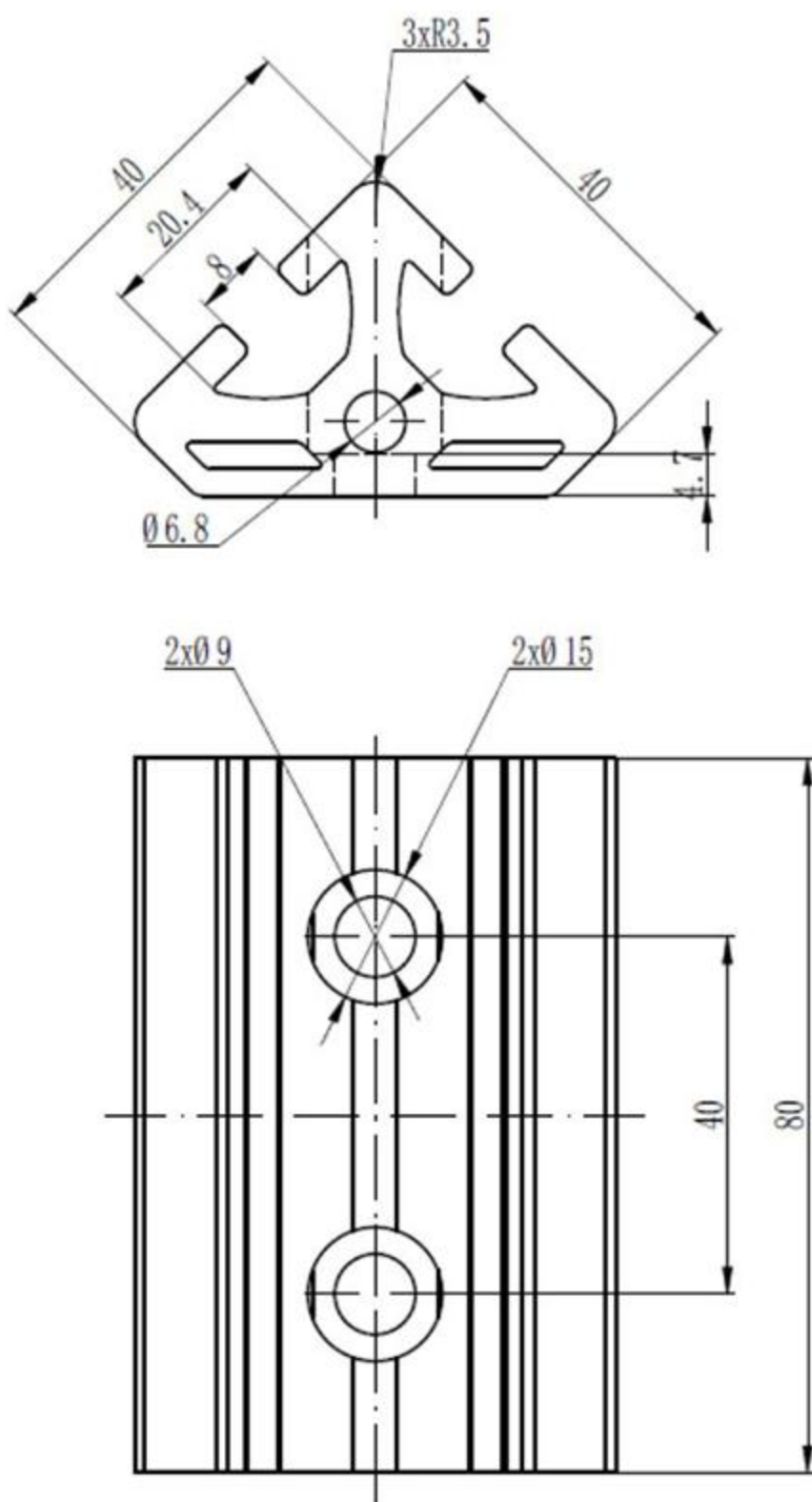


Item No.	Material	Finish	PCS/CTN	KGS/CTN	CTN SIZE
302.2800A.01	Steel+Stainless Steel 304	Zinc Blue	200	14.70	225*170*180

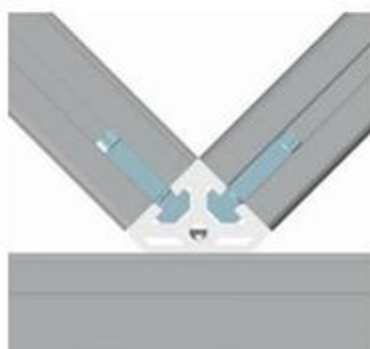


## 310.4701A.01(40X80)

发布时间: 2023-03-20 20:50:16



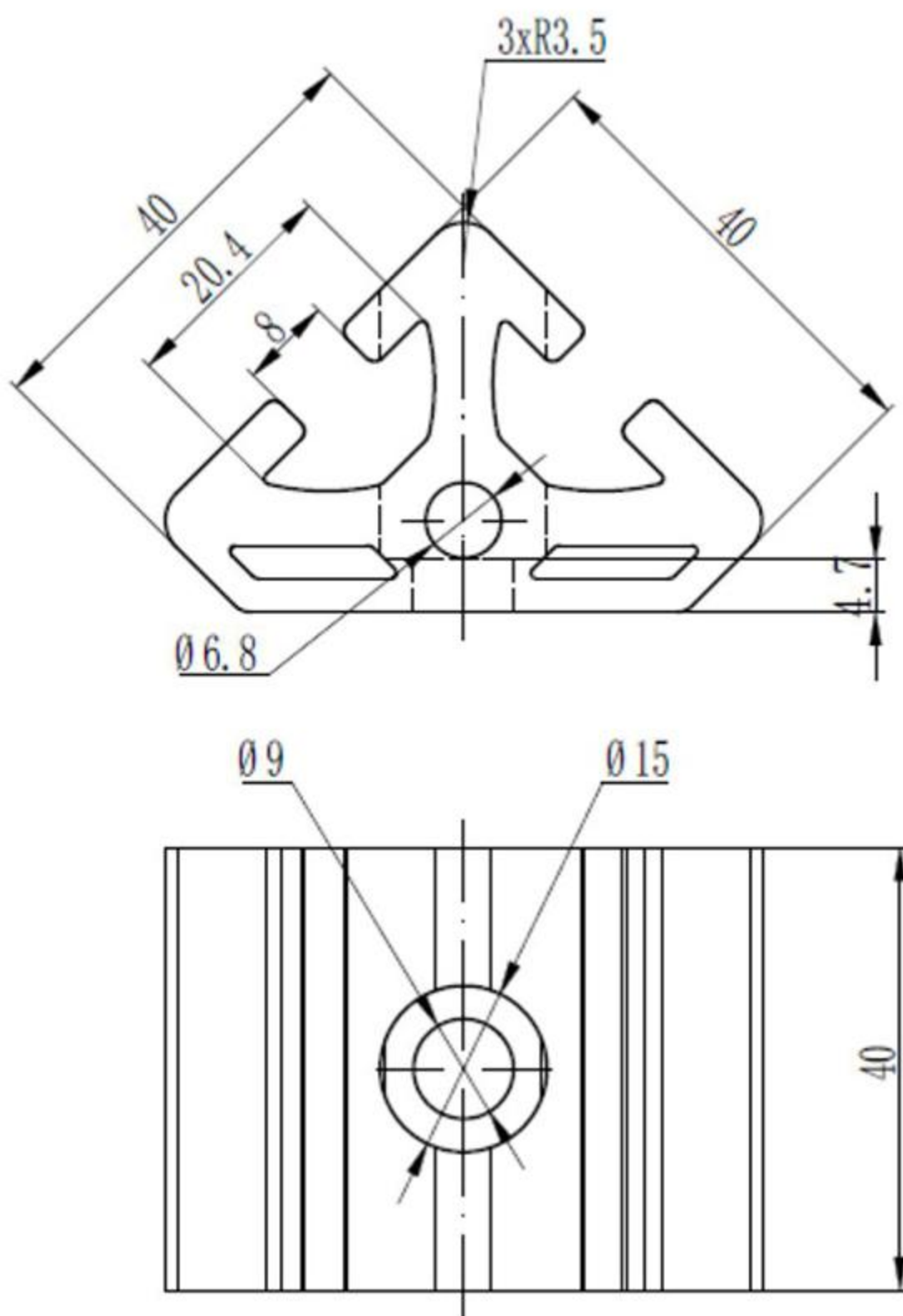
For Profile	Item No.	Material	Finish	PCS/CTN	KGS/CTN	CTN SIZE(mm)
40*40	310.4701A.01	Alu 6063-T5	Oxidation	80	11.95	350*230*180



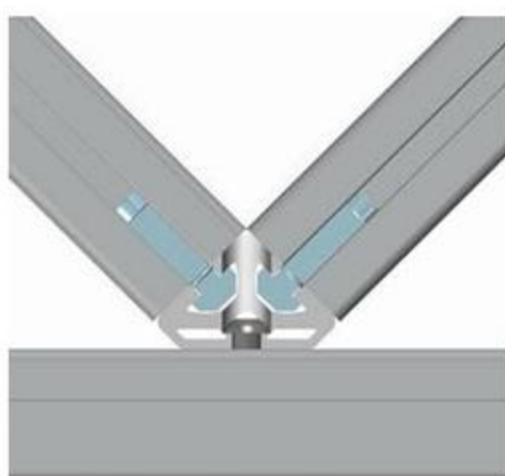


## 310.4601A.01

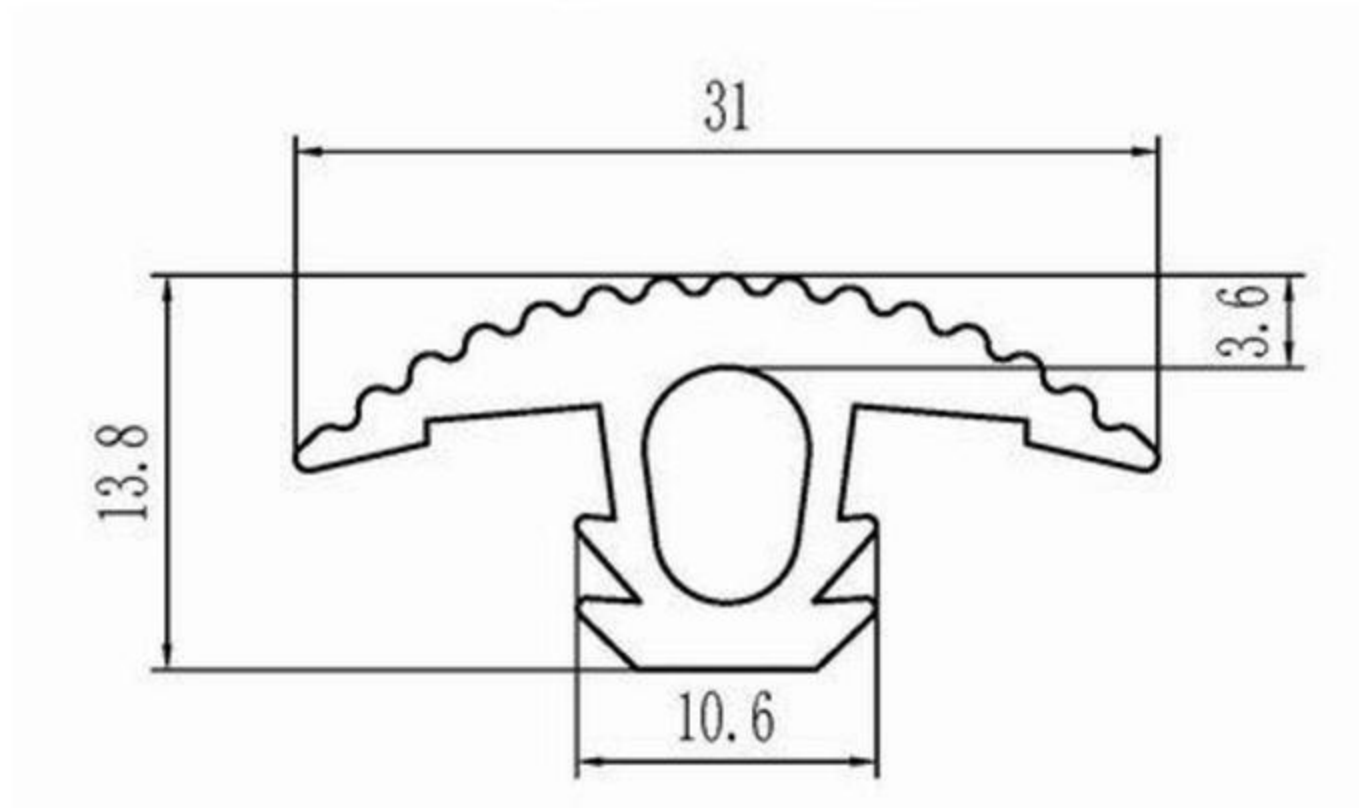
发布时间: 2023-03-20 20:27:37



For Profile	Item No.	Material	Finish	PCS/CTN	KGS/CTN	CTN SIZE(mm)
40*40	310.4601A.01	Alu 6063-T5	Oxidation	70	5.45	230*170*180



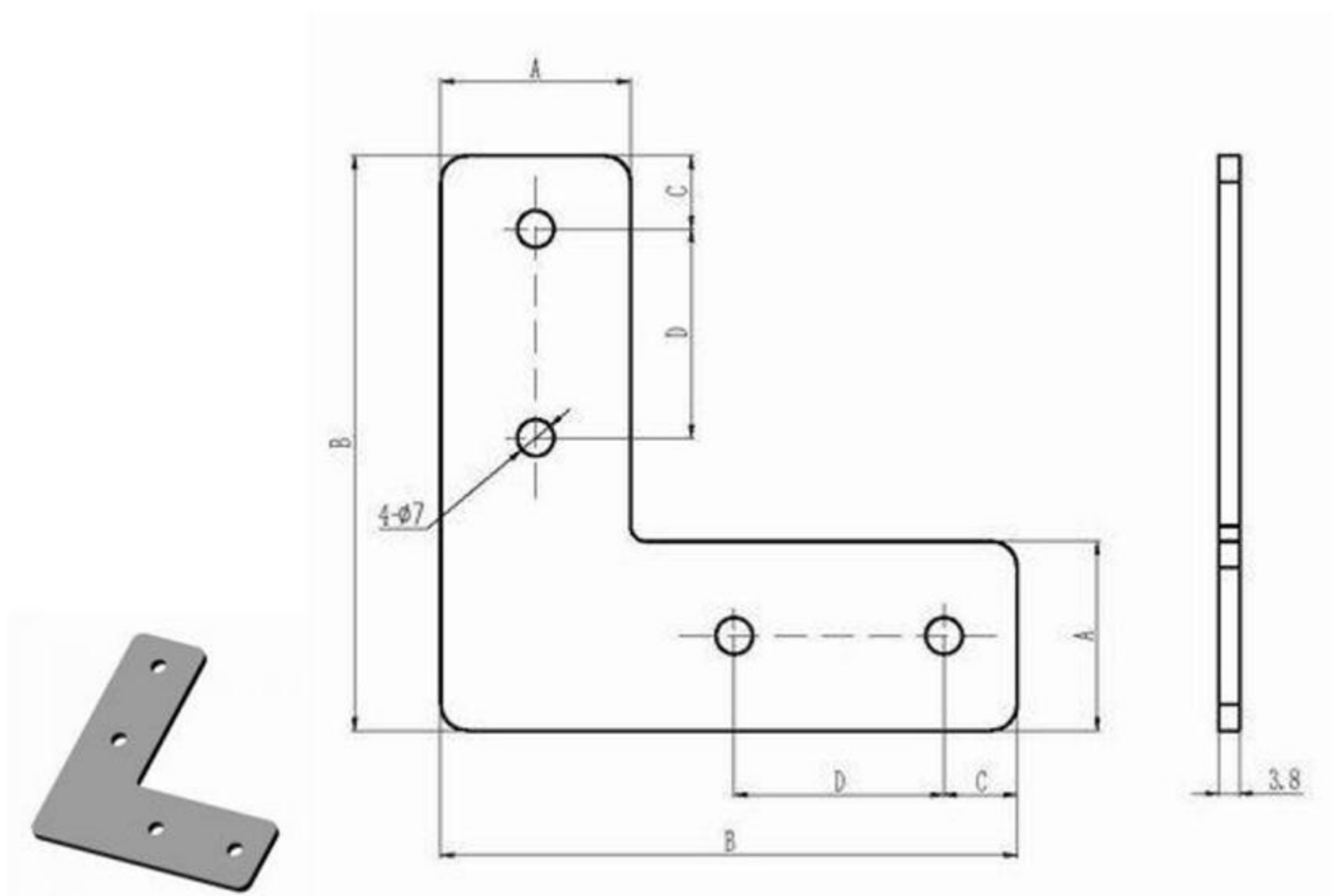
## 390.1000A.01



Slot	Item No.	Material	Finish	Weight
8	390.1000A.01	Elastic PVC	Black	180 g/m



## 305.0800-0900A.01

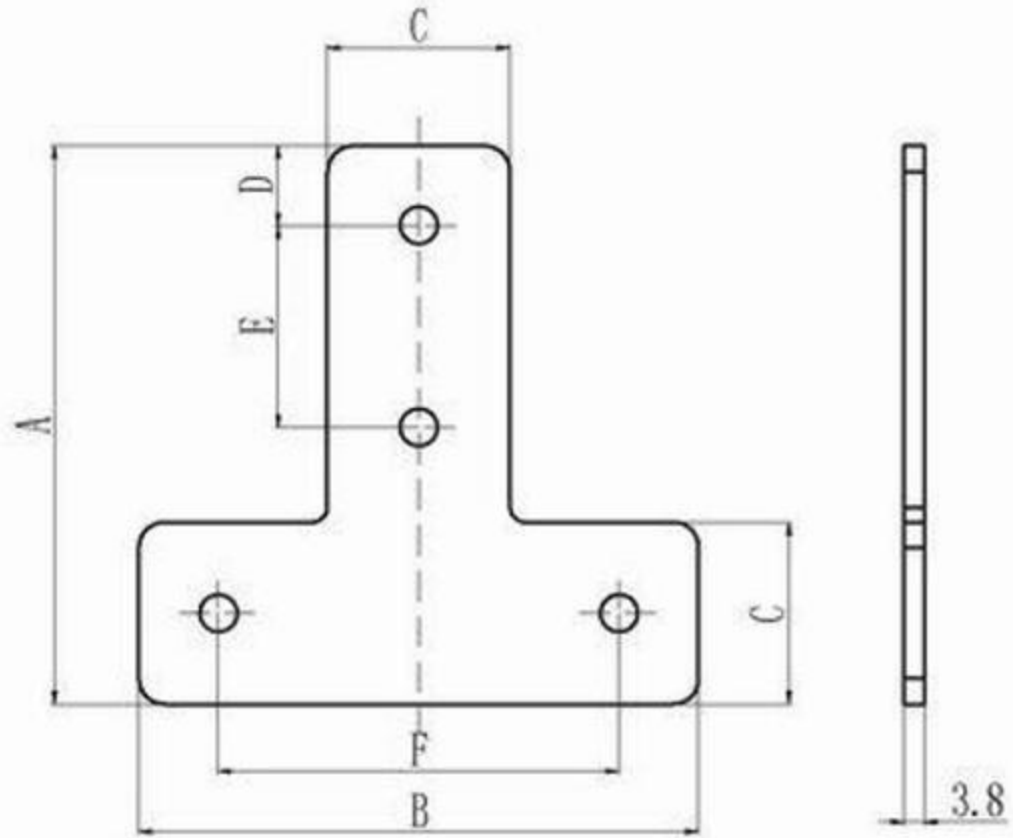


Item No.	For Profile	A	B	C	D	PCS/CTN	KGS/CTN	CTN SIZE
305.0800A.01	30x30	26.2	100	15	35			
305.0900A.01	40x40	36.2	110	15	40			
<b>Material: Al Alloy</b>								
<b>Finish: Sandblast Oxidation</b>								

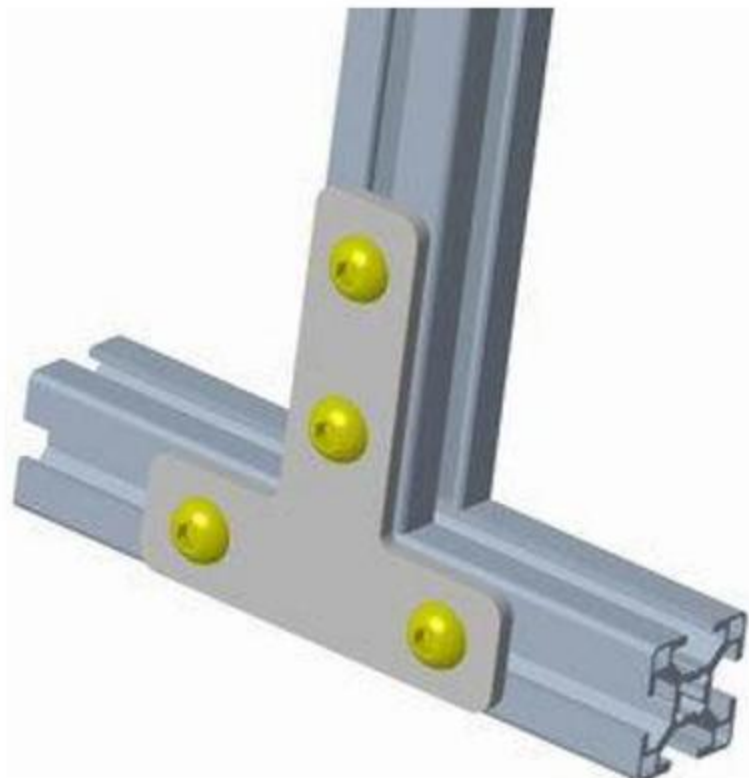




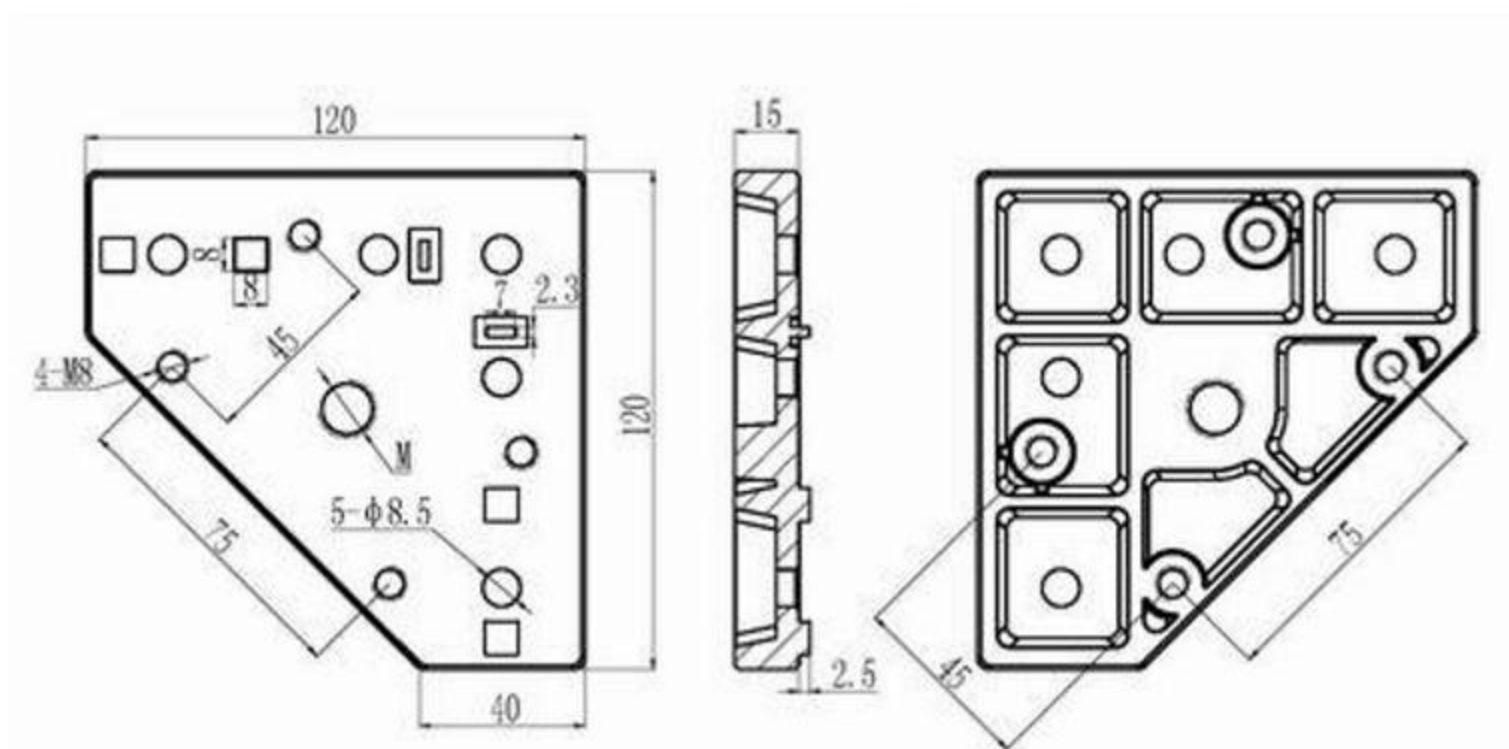
## 305.1000-1100A.01



Item No.	For Profile	A	B	C	D	E	F	PCS/CTN	KGS/CTN	CTN SIZE
305.1000A.01	30x30	97	90	26	15	35	60			
305.1100A.01	40x40	110	110	36	16	40	80			
<b>Material: Al Alloy</b>										
<b>Finish: Sandblast Oxidation</b>										

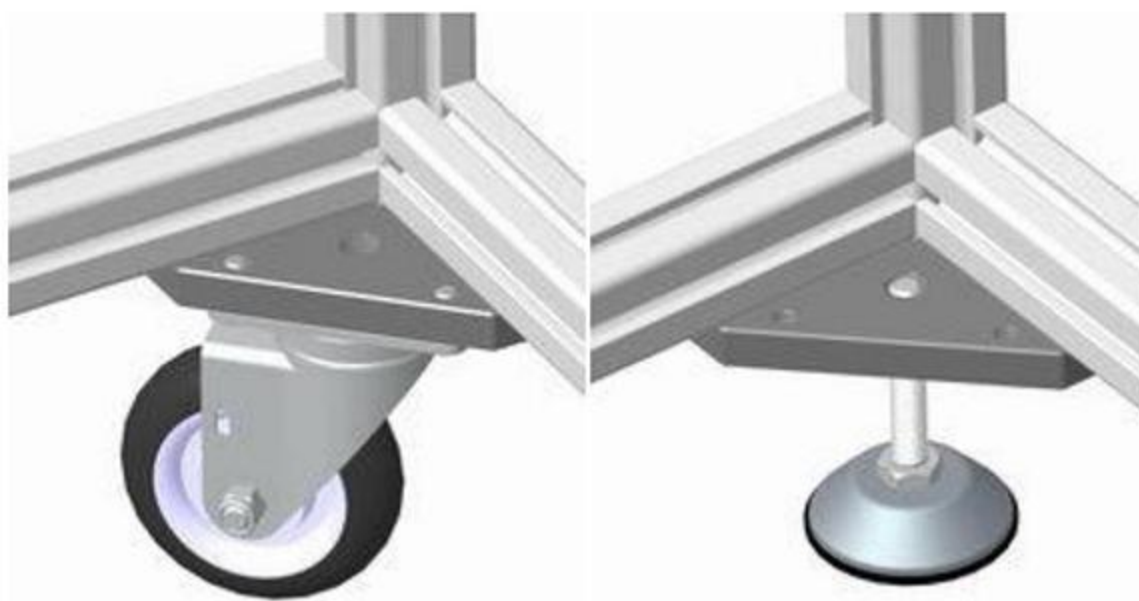


## 308.200XA.01

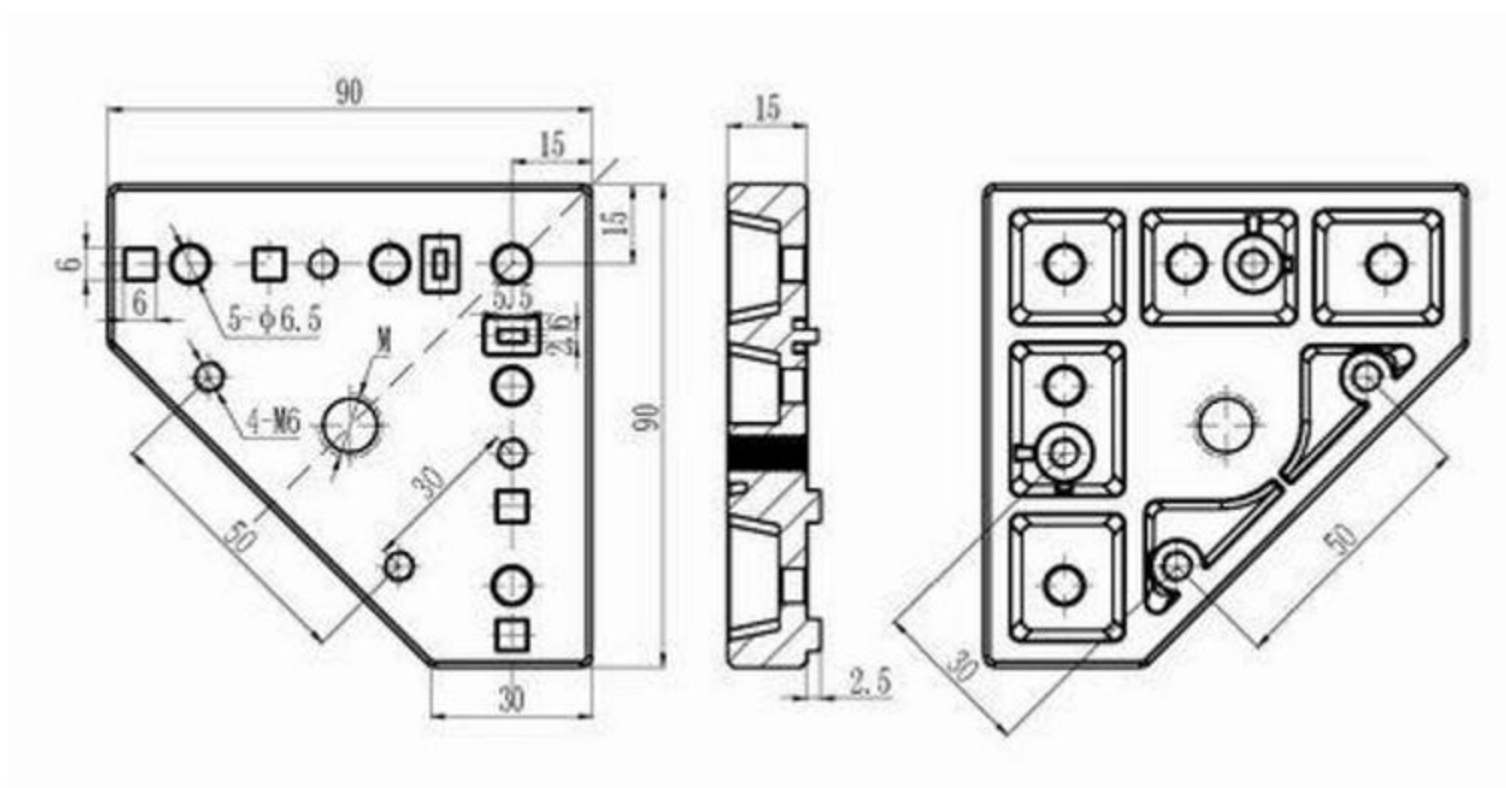


Item No.	M	PCS/CTN	KGS/CTN	CTN SIZE
308.2000A.01	12			
308.2001A.01	16			
308.2002A.01	20			

**Used For Profile: 40x40 Material: Al Alloy Finish: Grey Painting**

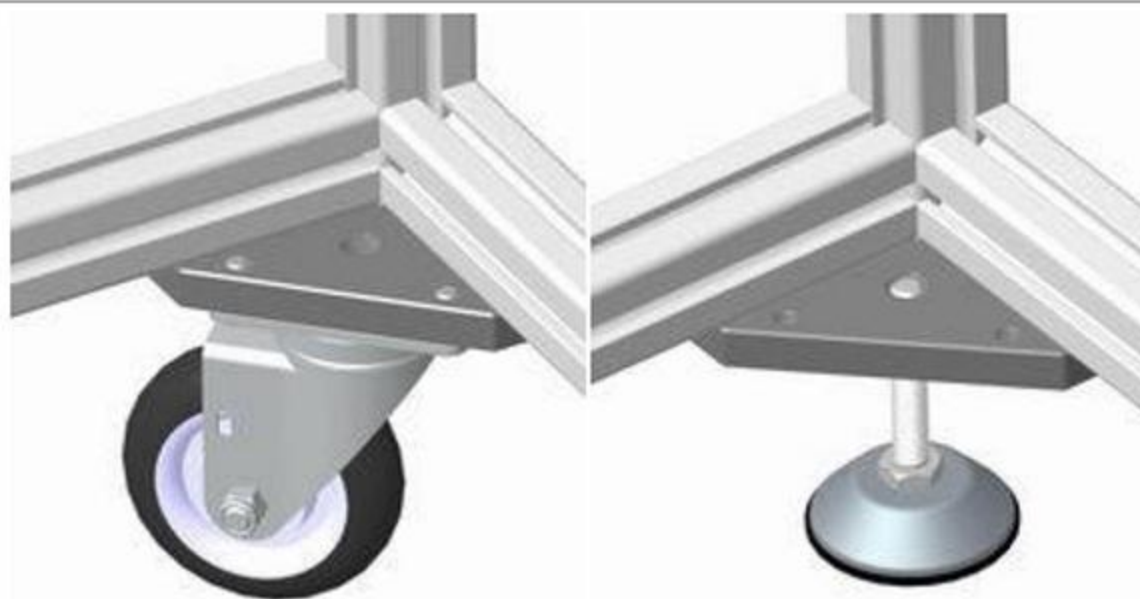


## 308.210XA.01



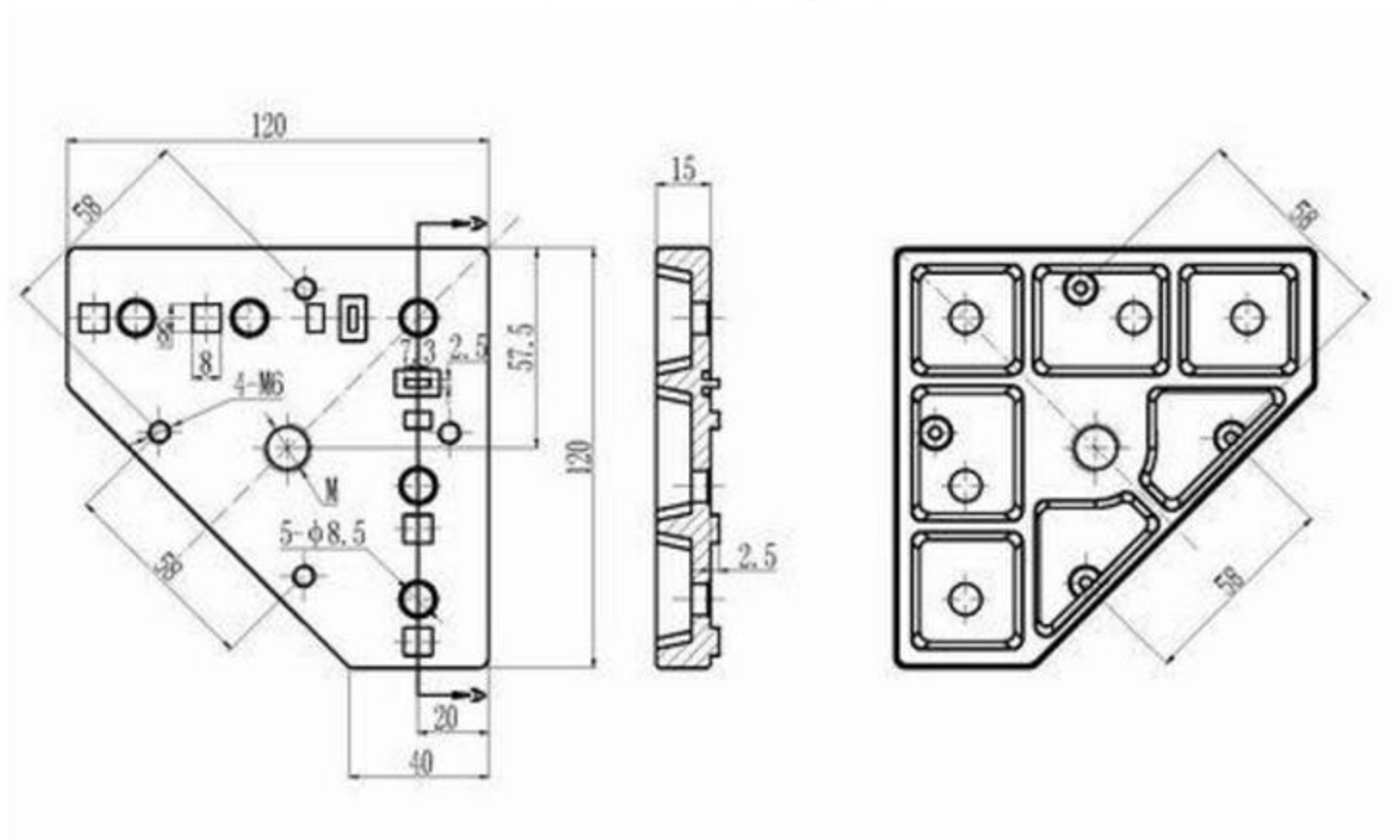
Item No.	M	PCS/CTN	KGS/CTN	CTN SIZE (cm)
308.2100A.01	12			
308.2101A.01	14			
308.2102A.01	16			
308.2103A.01	20			

**Used for Profile: 30x30 Material: Al Alloy Finish: Grey Painting**





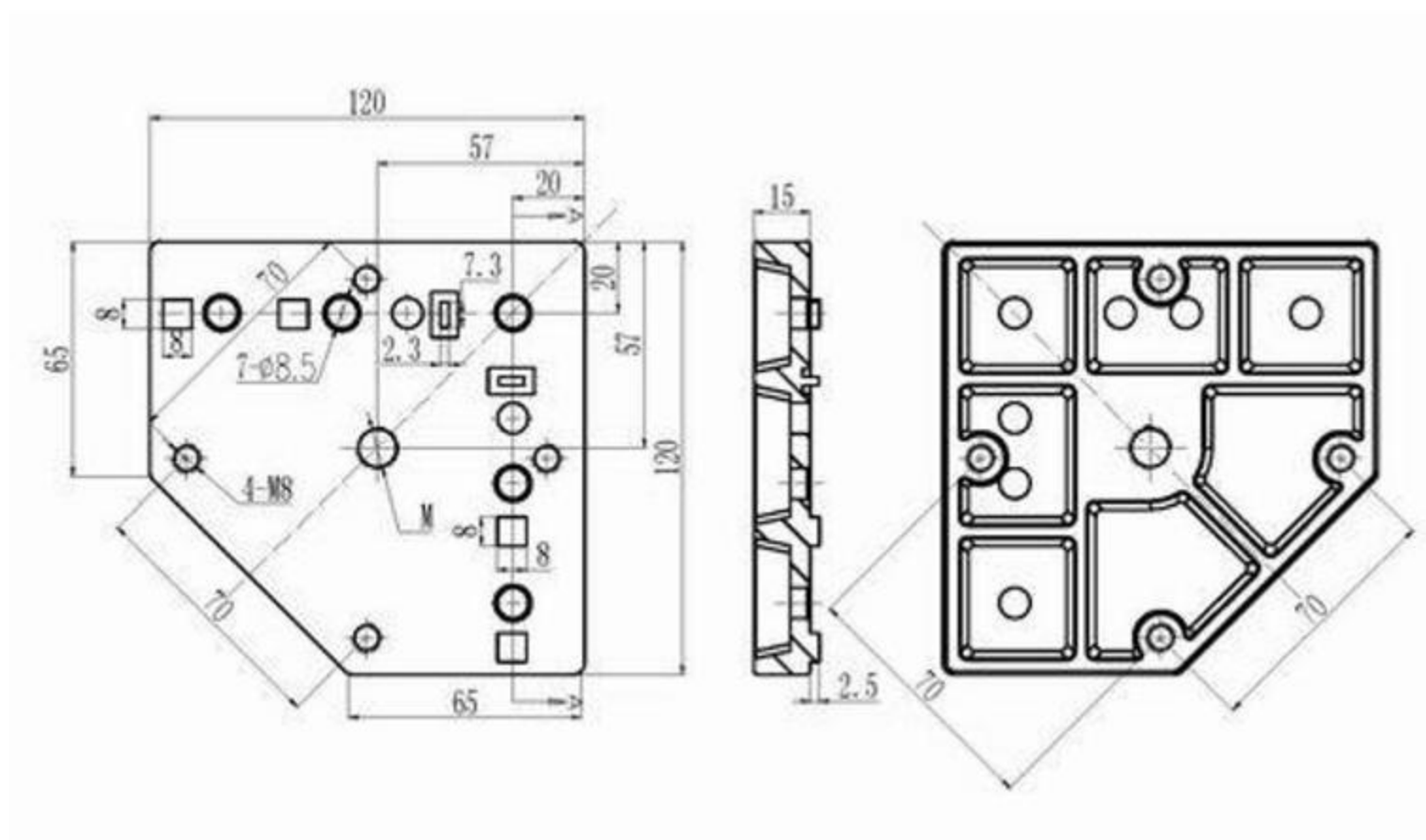
## 308.220XA.01



Item No.	M	PCS/CTN	KGS/CTN	CTN SIZE
308.2200A.01	12			
308.2201A.01	16			
<b>Used For Profile: 40x40    Material: Al Alloy    Finish: Grey Painting</b>				



## 308.230XA.01

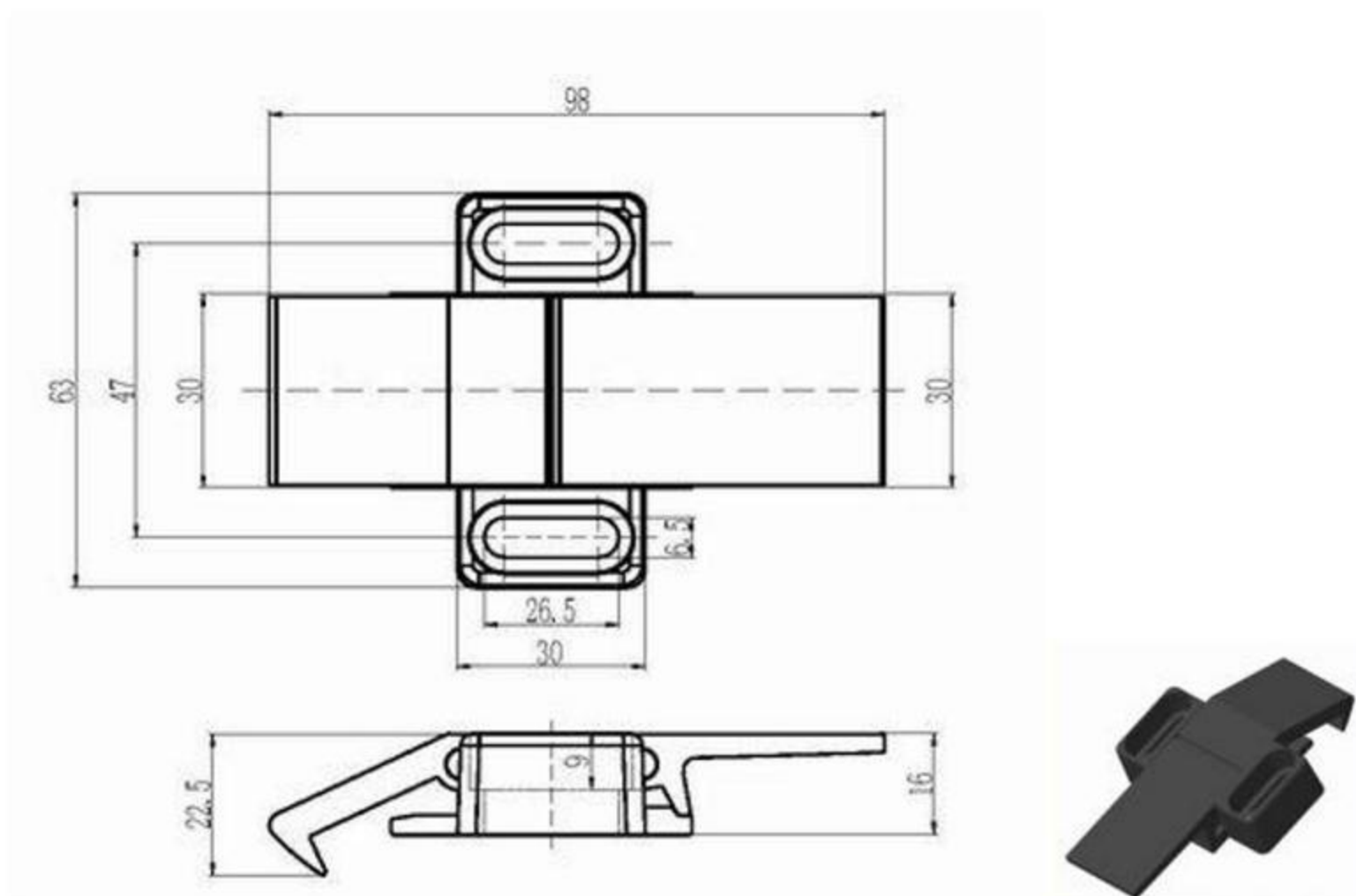


Item No.	M	PCS/CTN	KGS/CTN	CTN SIZE
308.2300A.01	12			
308.2301A.01	16			
<b>Used For Profile: 40x40 Material: Al Alloy Finish: Grey Painting</b>				

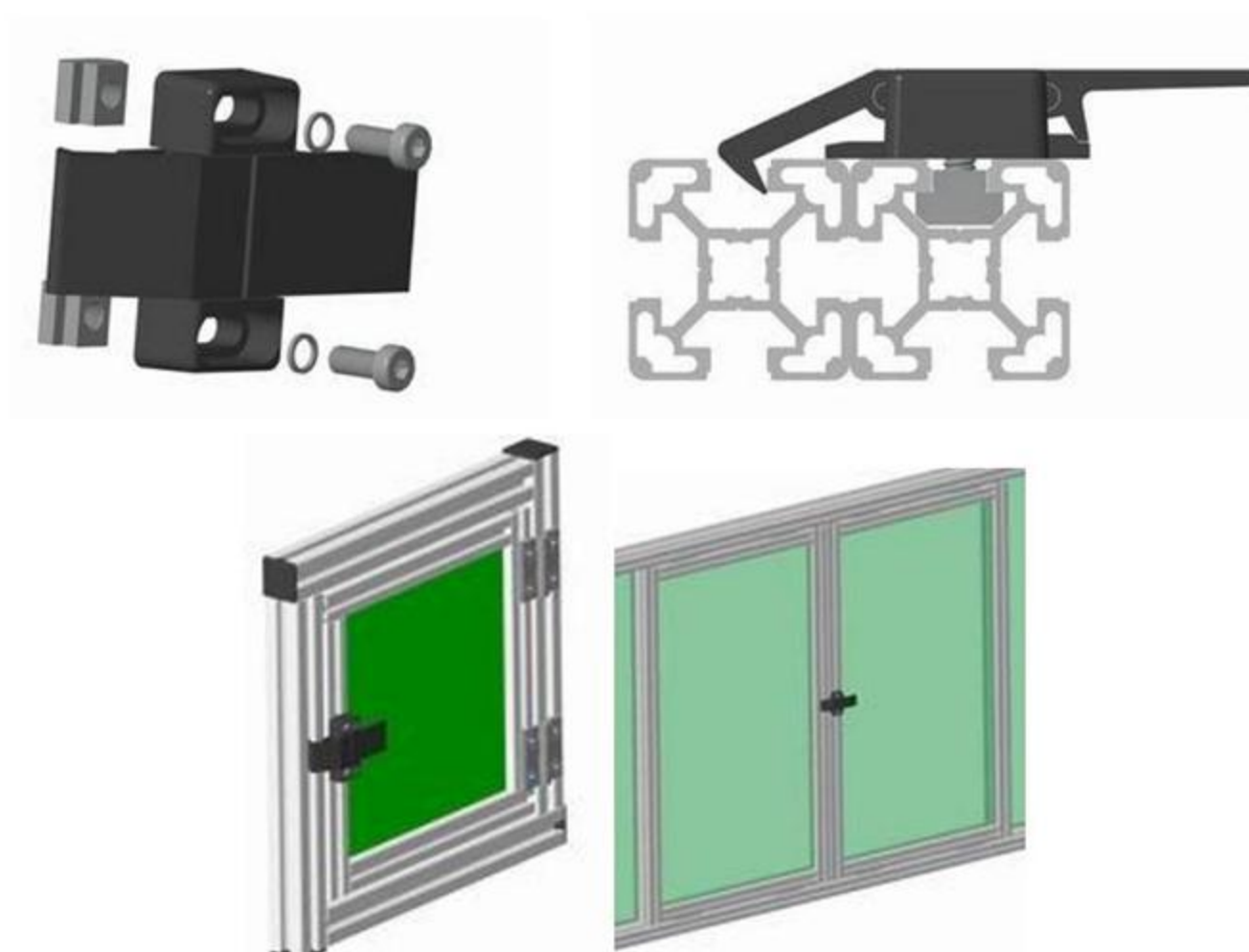


## 395.1700A.01

发布时间: 2021-01-20 20:34:06



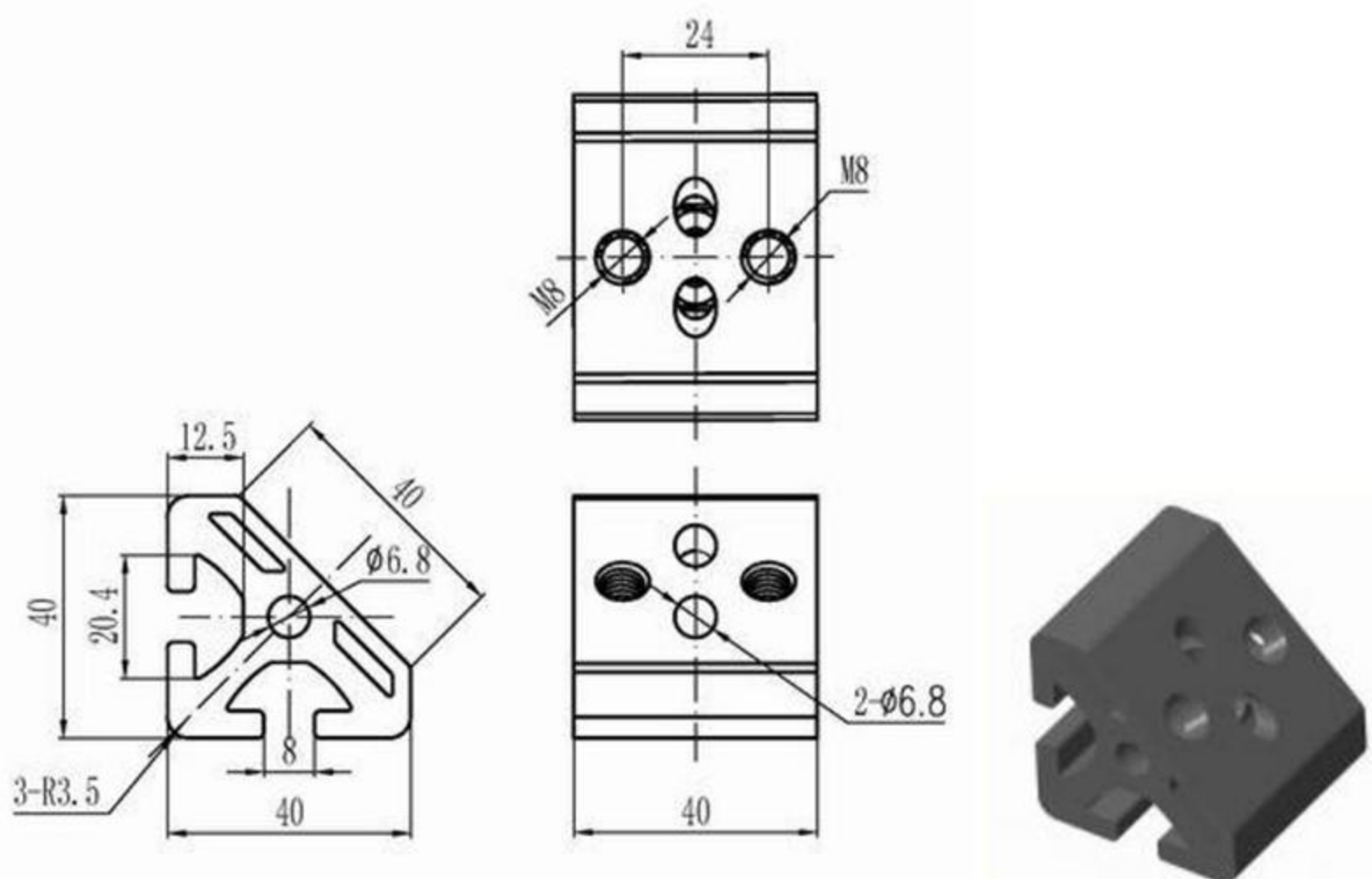
Item No.	Material	Finish	PCS/CTN	KGS/CTN	CTN SIZE(mm)
395.1700A.01	Al Alloy	Black Coating			





## 310.4600A.01

发布时间: 2021-01-14 19:21:03

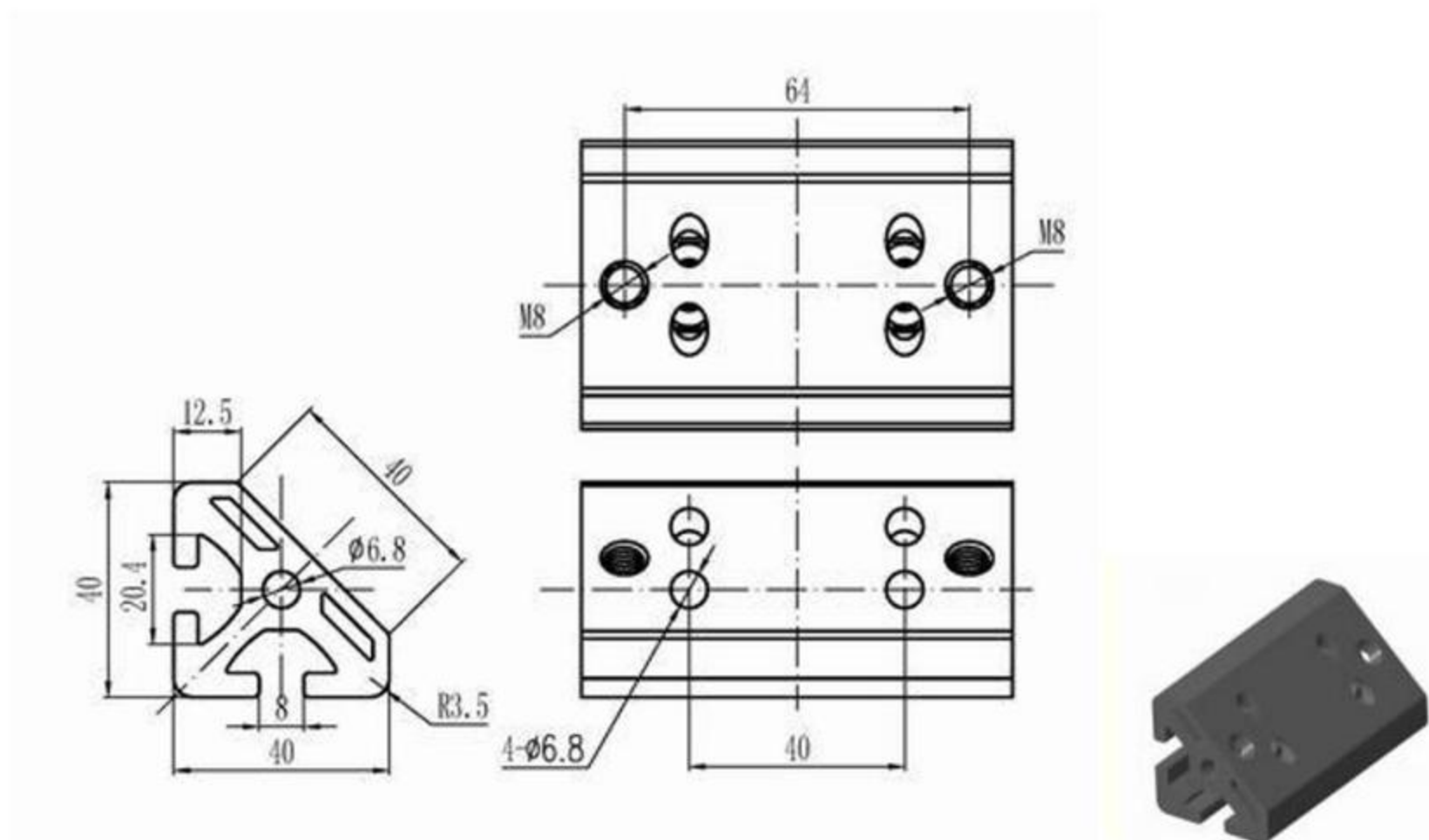


For Profile	Item No.	Material	Finish	PCS/CTN	KGS/CTN	CTN SIZE(mm)
40*40	310.4600A.01	Alu 6063-T5	Oxidation			

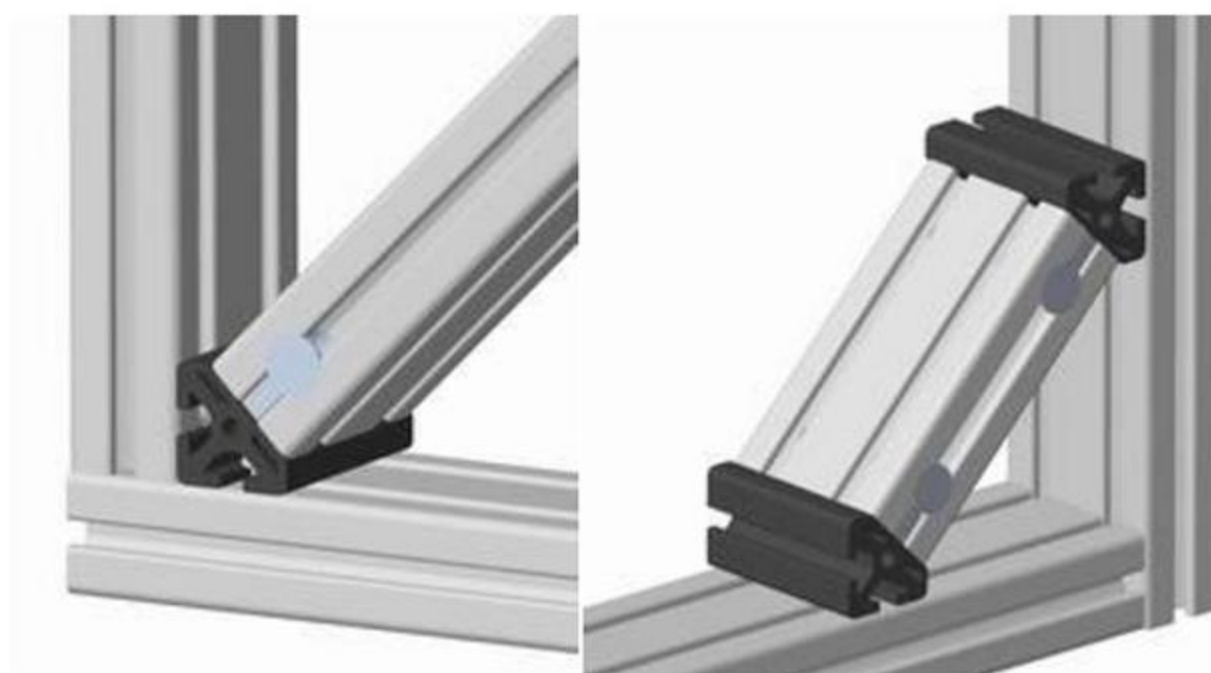


## 310.4700A.01

发布时间: 2021-01-14 19:30:14

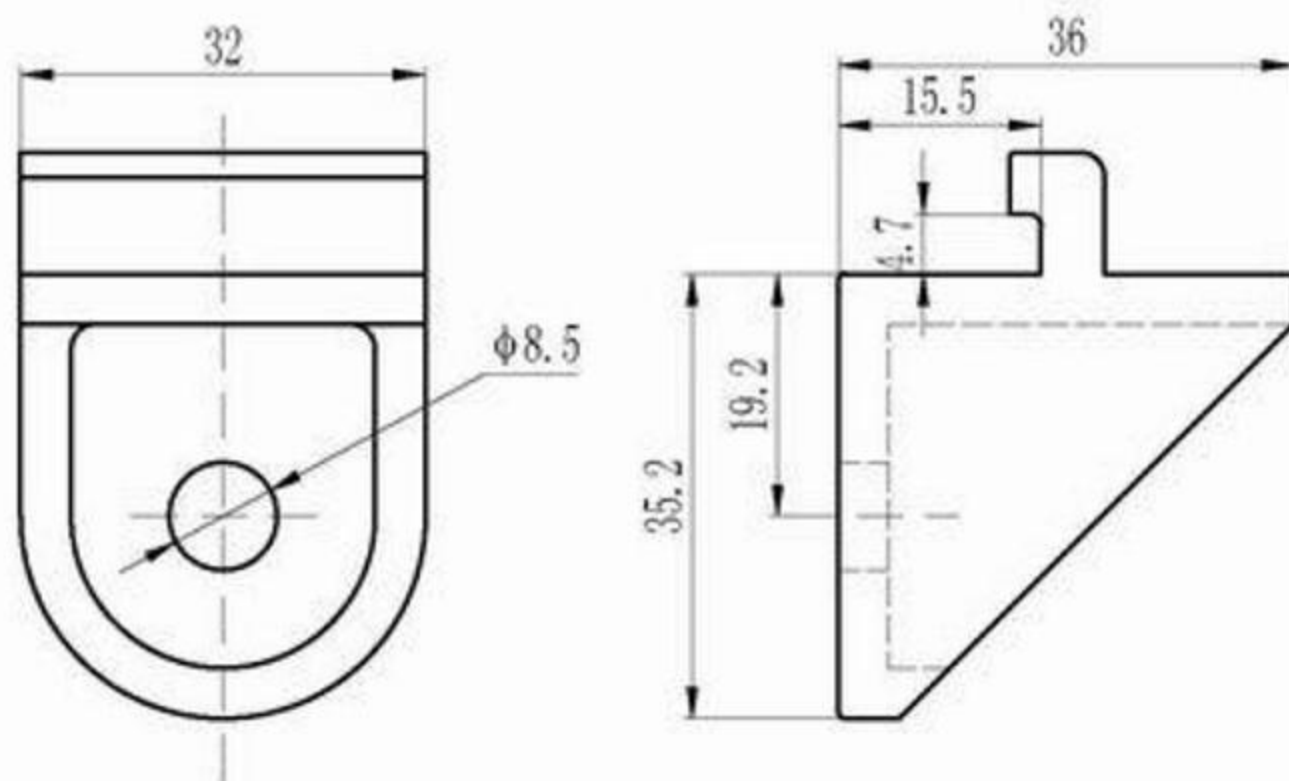


For Profile	Item No.	Material	Finish	PCS/CTN	KGS/CTN	CTN SIZE(mm)
40*80	310.4700A.01	Alu 6063-T5	Oxidation			



## 310.4800A.01

发布时间: 2021-01-20 20:47:16



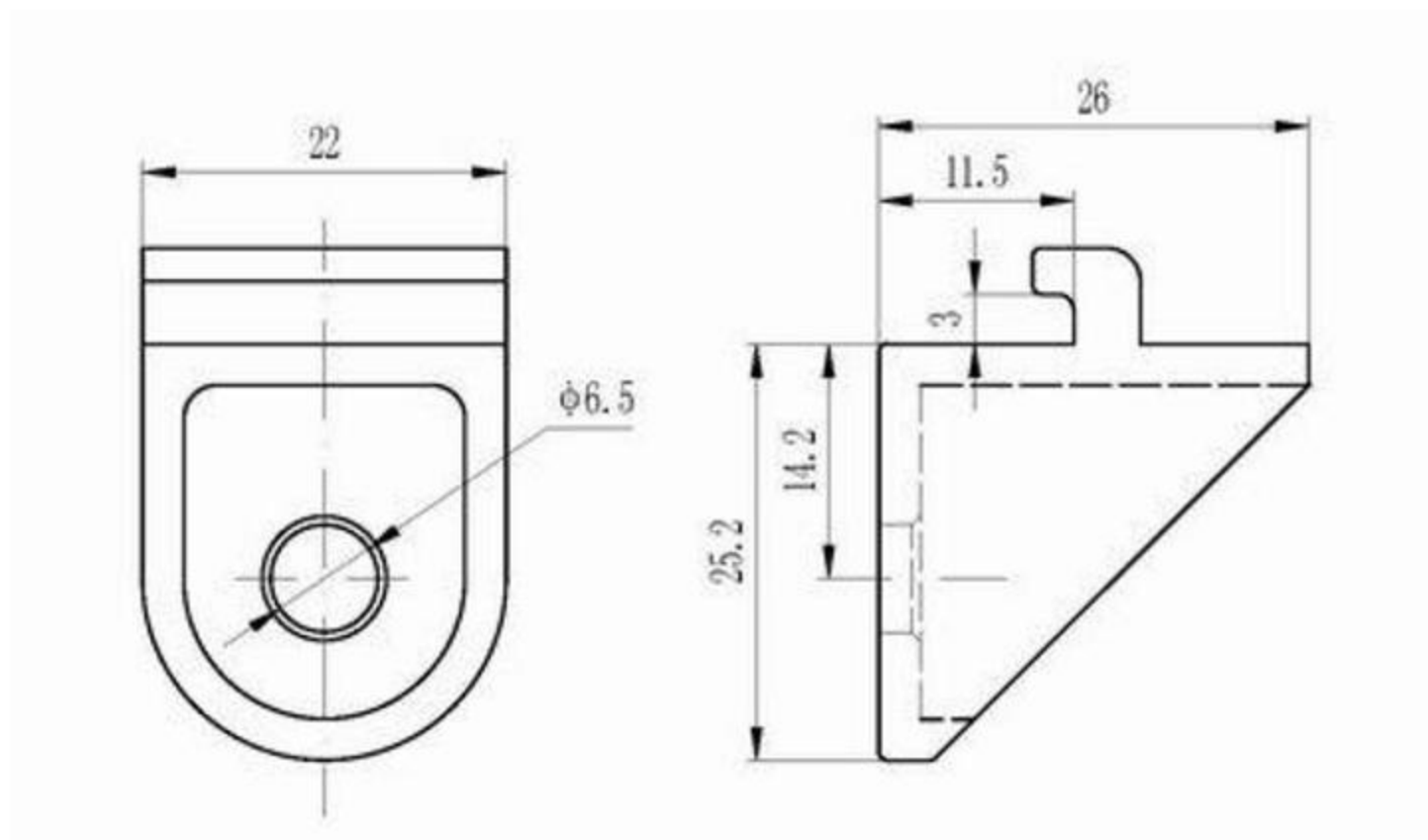
Item No.	Material	Finish	PCS/CTN	KGS/CTN	CTN SIZE(mm)
310.4800A.01	Die-cast Alu	Dull Polished			





## 310.4900A.01

发布时间: 2021-01-20 20:53:18



Item No.	Material	Finish	PCS/CTN	KGS/CTN	CTN SIZE(mm)
310.4900A.01	Die-cast Alu	Dull Polished			


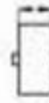




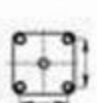



## DX-F Series

发布时间: 2021-01-12 21:16:39



**Material&Surace: 1:Steel/green; 2: Nylon/black  
3; Die-cast alu+cushioning material/black**

Item No 产品编号	kg								
	kg	mm	mm	mm	mm	mm	mm	mm	mm
DX-40F	50	42	18	85	51	71+4	55*55	42*42	6.5
DX-60F	250	52	25	99	62	82+10	73*73	58*58	7
DX-80F	500	63	30	122	79	105+12	90*90	70*70	9
DX-100F	750	73	30	138	89	120+12	95*95	70*70	11
DX-120F	1000	73	30	138	89	120+12	95*95	70*70	11
DX-150F	1500	96	56	178	118	134+15	100*100	70*70	13










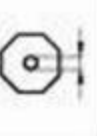

## DX-S Series

发布时间: 2021-01-13 20:03:34



**Material&Surface: 1:Steel/green; 2: Nylon/black**

**3; Die-cast alu+cushioning material/black**

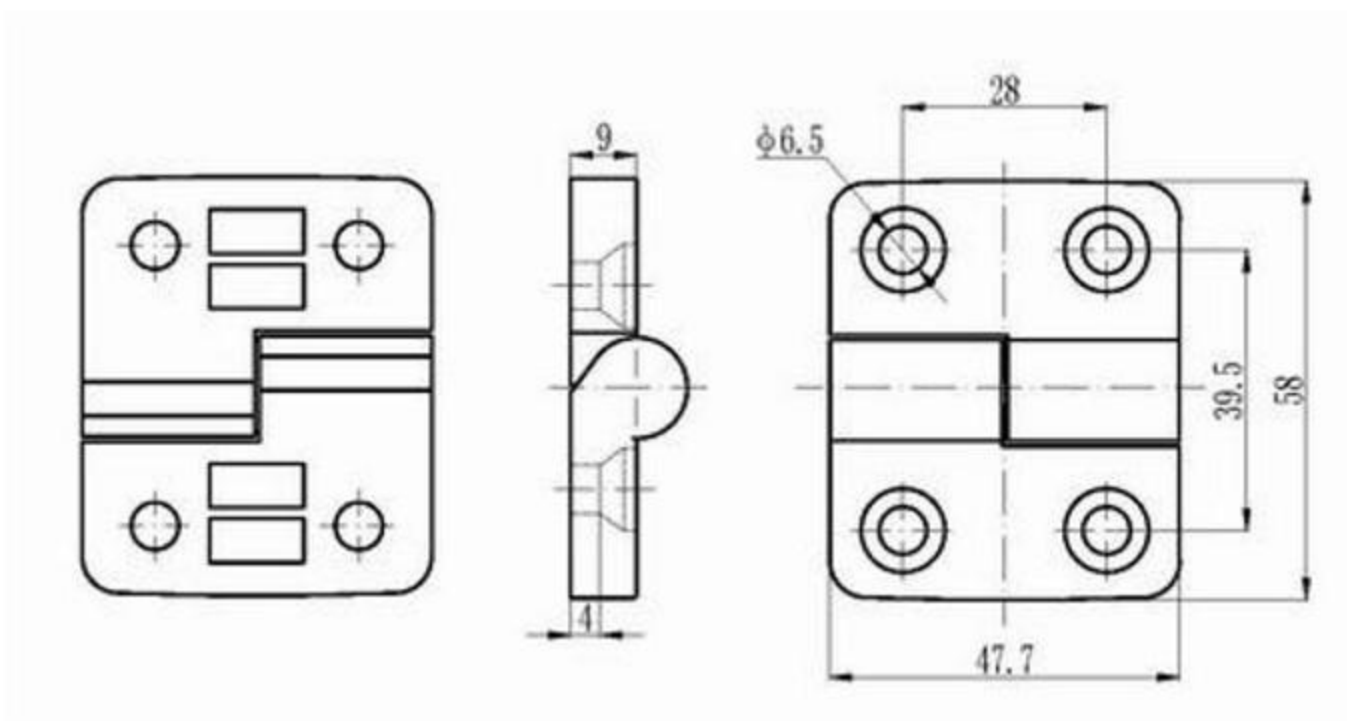
Item No 产品编号	kg							
	kg	mm	mm	mm	mm	mm	mm	mm
DX-40S	50	42	18	85	51	71+4	M8	30
DX-60S	250	52	25	99	62	82+10	M12	40
DX-80S	500	63	30	122	79	105+12	M12	40
DX-100S	750	73	30	138	89	120+12	M16	45
DX-120S	1000	73	30	138	89	120+12	M16	45





## 350.1100A.01 (Removable)

发布时间: 2021-01-13 20:21:17

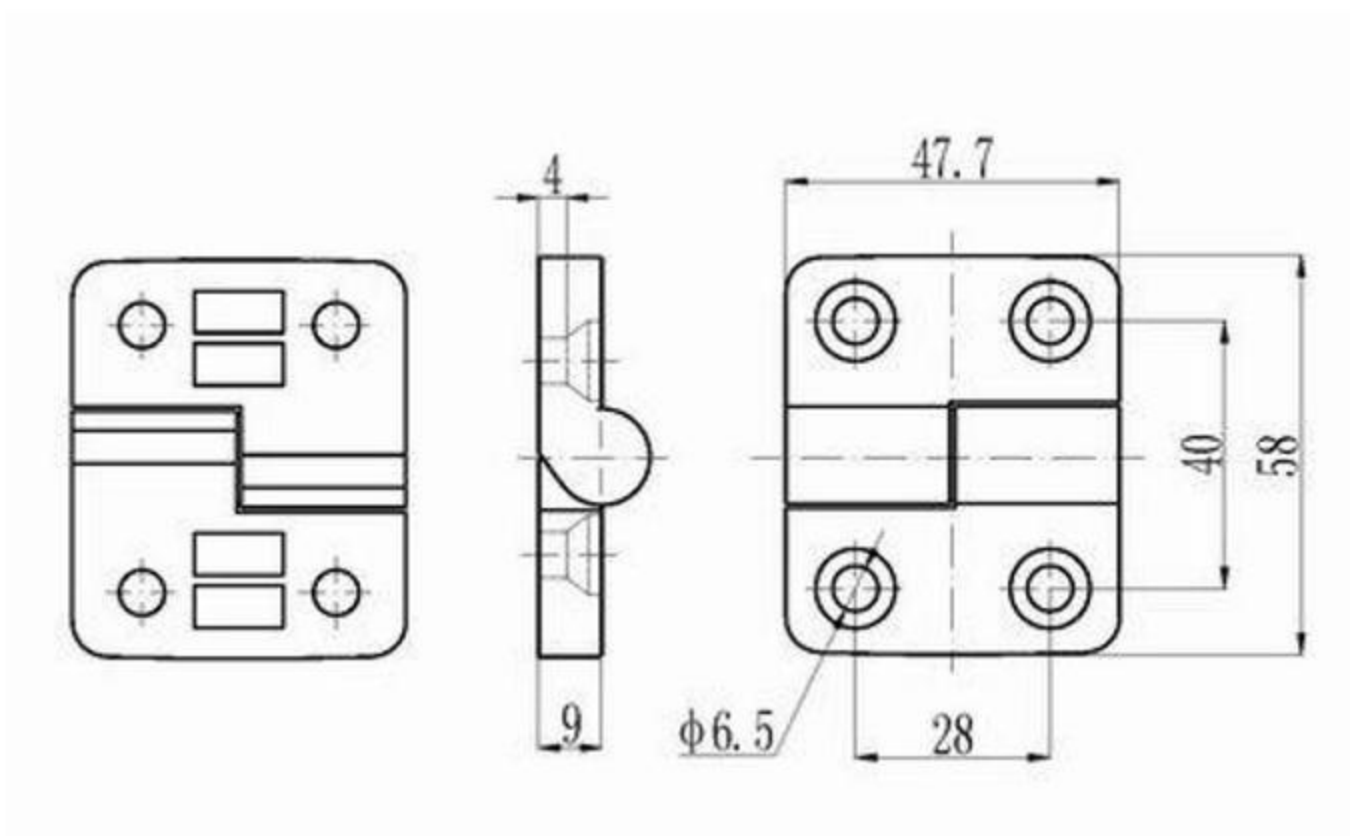


Item No.	Material	PCS/CTN	KGS/CTN	CTN SIZE(mm)	Remark
350.1100A.01	Black Nylon				Left Removable



## 350.1200A.01(Removable)

发布时间: 2021-01-13 20:37:47



Item No.	Material	PCS/CTN	KGS/CTN	CTN SIZE(mm)	Remark
350.1200A.01	Black Nylon				Right Removable

